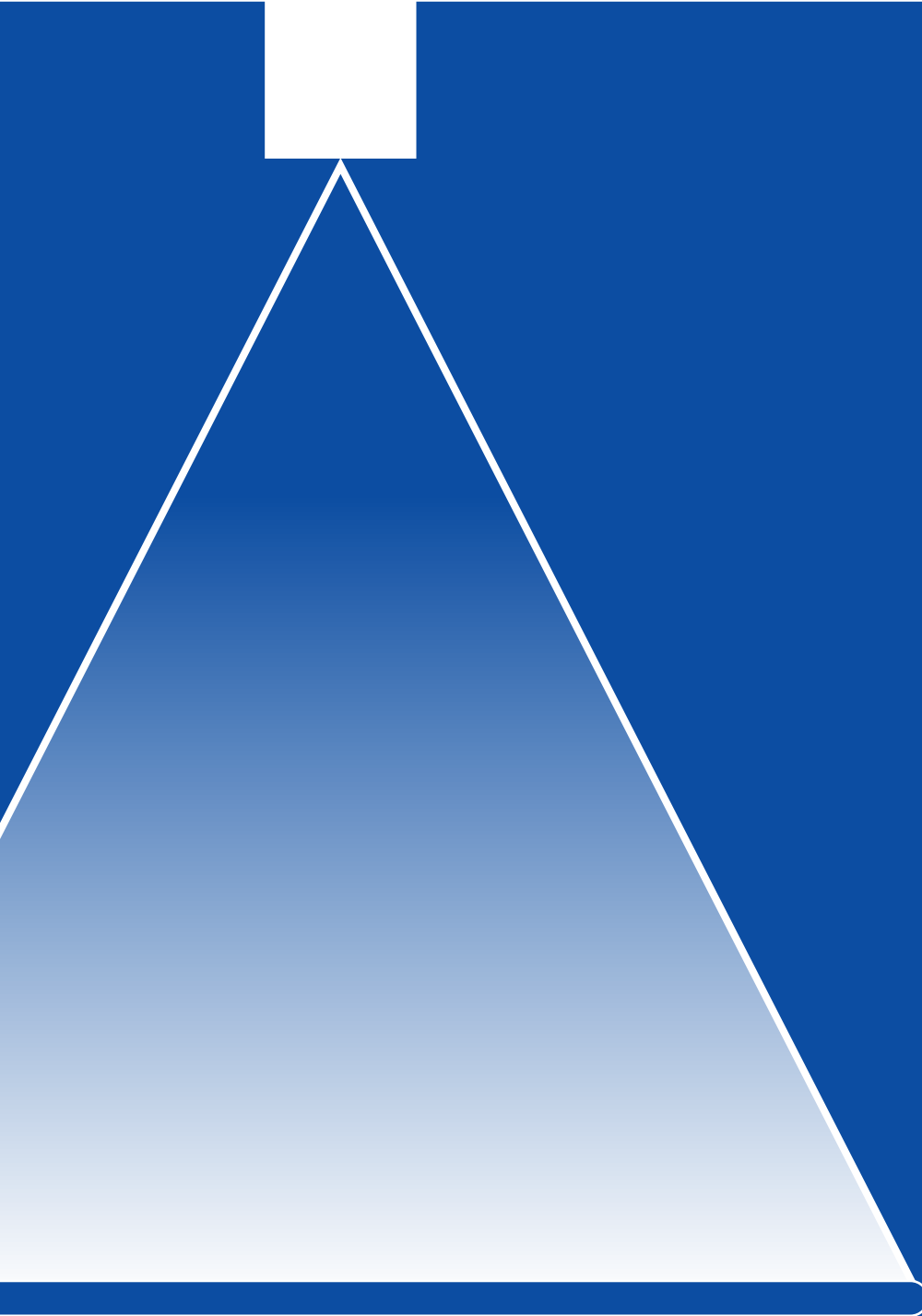


CHAPTER 5

◆◆ Flat Fan Nozzles



◆ ABOUT US

We Are Here to Help

• Welcome to SPADFLOW

facing the **Challenges** of new industries and emerging markets.

• Spray Technologies

with over **Thousands of Spray Nozzle Types** SPADFLOW has become Iran's leading producer.

• From Design to Installation

with **Skilled** engineers and project managers, SPADFLOW is providing consultancy and support services.

• Knowledge and Experience

as an **Expert** on spray technology, SPADFLOW is at the forefront of production and innovation.





Design



Simulation



Production

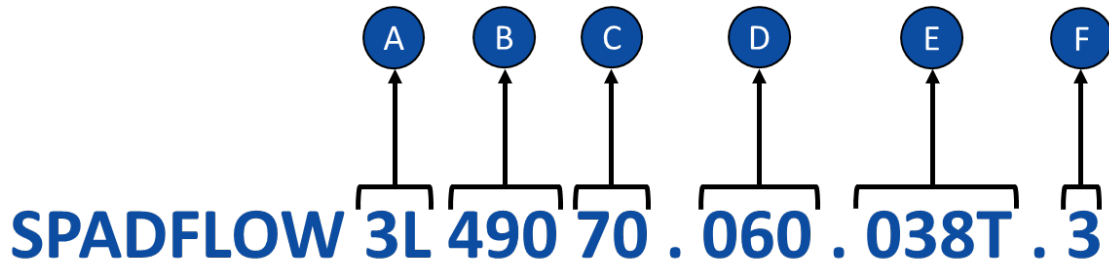


Installation



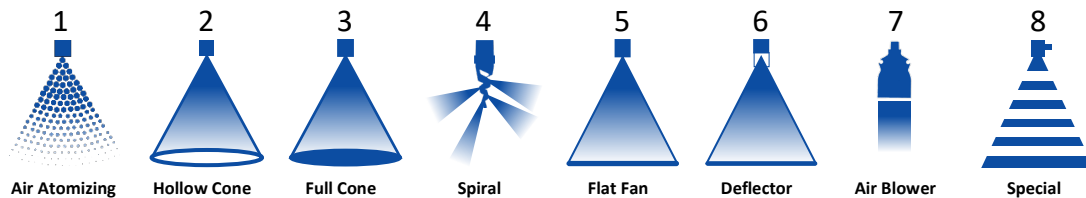
PRODUCT NUMBERS

Everything You Need to Know



A

Nozzle Type (Spray Pattern)



B

Nozzle Series

C

Flow Rate Rank

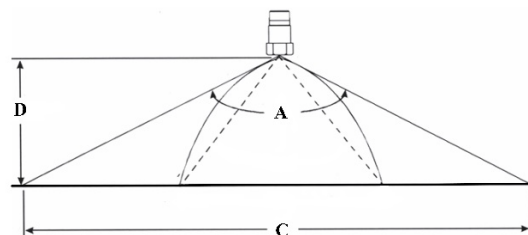
The flow rate rank is relative and depends on the respective nozzle type. The exact value is mentioned in tables on the product pages.

D

Spray Angle

Theoretical spray angle is mentioned in tables on the product pages. Actual spray angle depends on installation and alignment.

- A = Theoretical Spray Angle
- D = Spray Distance
- C = theoretical Spray Coverage



PRODUCT NUMBERS

Everything You Need to Know

E Connection

1/8" to 4" connections. The exact specification is mentioned in tables on the product pages.
 T = BSBT Thread Type Connection
 P = BSPP Thread Type Connection
 N = NPT Thread Type Connection
 R = Retaining Nut

F Material

Material	Code	Material	Code
Brass	1	Polyvinylchloride	PVC
AISI 304/304L Stainless Steel	2	Polypropylene	PP
AISI 316/316L Stainless Steel	3	Polyamide	PA
AISI 310 Stainless Steel	4	Polyvinylidene fluoride	PVDF
AISI 321 Stainless Steel	5	Polytetrafluorethylene	PTFE
AISI 420 Stainless Steel	6	Polyoxymethylene	POM
Tungsten Carbide	TN	Nitrile Butadiene Rubber	NBR
Phosphor Bronze	CuSn	Poly lactic Acid	PLA
Copper	Cu	Acrylonitrile Butadiene Styrene	ABS
Titanium	TI	Nylon Polyamide	PA6
Aluminum	AL	Polycarbonate	PC

Ø B (Equivalent Bore Diameter)

Applies to elliptical discharge holes of flat fan nozzles. A cylindrical hole with a diameter A has the same surface area as the ellipse.

Ø E (Narrowest Free Cross Section)

Important Characteristics for determining the pre-filtration of a nozzle. Can be less than a due to several swirl ducts.

Conversion Formula: $K \text{ factor} \times \sqrt{P(\text{bar})} = Q (\text{l/min})$

All flow rate data in this catalogue is based on measurements with water,







Spray angle (α)	Code	Connection Size [inch]	Ø B [mm]	Ø E [mm]	Flow rate (Q) [l/min]						
					Pressure (P) [bar]						
					0.5	1.0 <i>K factor</i>	2.0	3.0	5.0	7.0	10.0
45°	3L 490 40 . 045	1/8"	1.25	1.25	0.57	0.76	1.00	1.18	1.44	1.65	1.90
	3L 490 60 . 045	1/4"	2.00	2.00	1.81	2.39	3.15	3.70	4.54	5.20	6.00
	3L 490 70 . 045	3/8"	2.65	2.65	3.22	4.24	5.60	6.59	8.08	9.24	10.66
	3L 490 78 . 045	1/2"	3.45	3.45	5.17	6.82	9.00	10.58	12.98	14.85	17.12
60°	3L 490 40 . 060	1/8"	1.15	1.15	0.57	0.76	1.00	1.18	1.44	1.65	1.90
	3L 490 80 . 060	3/8"	3.70	3.70	5.74	7.58	10.00	11.76	14.43	16.51	19.04
	3L 490 88 . 060	1/2"	4.65	4.65	9.19	12.13	16.00	18.82	23.08	26.41	30.46
	3L 490 96 . 060	3/4"	5.80	5.80	14.36	18.95	25.00	29.40	36.07	41.26	47.59
	3L 491 08 . 060	1"	8.15	8.15	28.72	37.89	50.00	58.80	72.14	82.53	95.18

SPADFLOW spray nozzles are manufactured with the highest precision and undergo permanent quality checks. However, production-related tolerances can affect the spray angle, flow rate, droplet size and droplet distribution.

Flat Fan Nozzles

Selection Guide









Nozzle Series	Flow Capacity	Operating Pressures	Spray Angle	Application	Page
 5L 632	Low Flow Up to 50 liters per Minute	High Pressure Up to 10 bar	Narrow to Wide Spray Angle 20° - 30° - 45° - 60° - 75° - 90° - 120°	Spray Cleaning Surface Treatment Filter Cleaning Belt Cleaning Lubrication Coating	55 – 57
 5L 633	Standard Flow Up to 120 liters per Minute	Standard Pressure Up to 10 bar	Standard Spray Angle 60°	Spray Cleaning Surface Treatment Filter Cleaning Belt Cleaning Lubrication Coating	55 - 57
 5L 660	Standard Flow Up to 20 liters per Minute	Standard Pressure Up to 10 bar	Narrow to Wide Spray Angle 20° - 30° - 45° - 60° - 75° - 90° - 120°	Cleaning Installation Cooling Headers Spray Pipes Roll Cooling Cooling of Rolled Stock	58 – 59
 5L 664	Standard Flow Up to 50 liters per Minute	Standard Pressure Up to 10 bar	Narrow to Wide Spray Angle 20° - 30° - 45° - 60° - 75° - 90° - 120°	Cleaning Installation Cooling Headers Spray Pipes Roll Cooling Cooling of Rolled Stock	60 - 61
 5L 665	Standard Flow Up to 150 liters per Minute	Standard Pressure Up to 10 bar	Narrow to Wide Spray Angle 30° - 45° - 60° - 75° - 90° - 120°	Cleaning Installation Cooling Headers Spray Pipes Roll Cooling Cooling of Rolled Stock	60 - 61
 5B NF	High Flow Up to 3000 liters per Minute	Standard Pressure Up to 30 bar	Narrow to Wide Spray Angle 15° - 30° - 50° - 65° - 80° - 90° - 110° - 120°	Applying Additives Dust Removal Car Wash Coating Process Fire Protection Wall Lubrication Roll Cooling Washing Conveyor	62 – 66

Flat Fan Nozzles

Selection Guide

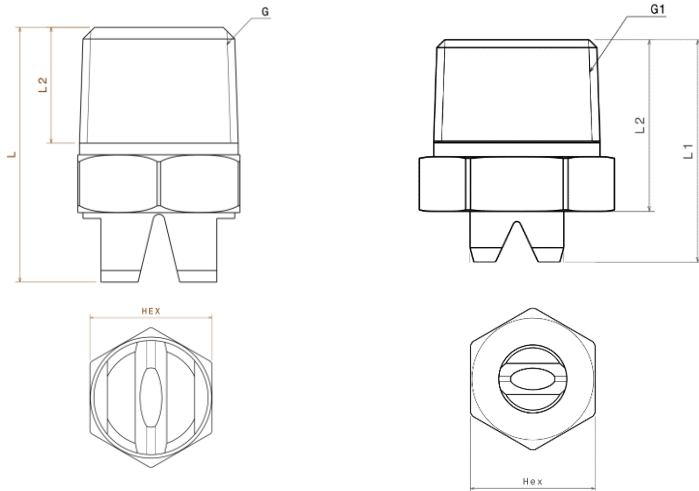


Nozzle Series	Flow Capacity	Operating Pressures	Spray Angle	Application	Page
 5L 602	Standard Flow Up to 90 liters per Minute	High Pressure Up to 200 bar	Narrow to Standard Spray Angle 20° - 30° - 40° - 45° - 60° - 80°	Spray Cleaning Surface Treatment Filter Cleaning Belt Cleaning Lubrication Coating	67 - 70
 5L 608	Standard Flow Up to 90 liters per Minute	High Pressure Up to 200 bar	Narrow to Standard Spray Angle 20° - 30° - 40° - 45° - 60° - 80°	Spray Cleaning Surface Treatment Filter Cleaning Belt Cleaning Lubrication Coating	71 - 73
 5L 652	Standard Flow Up to 40 liters per Minute	Standard Pressure Up to 10 bar	Narrow to Wide Spray Angle 20° - 30° - 45° - 60° - 75° - 90° - 120°	Spray Cleaning Surface Treatment Filter Cleaning Belt Cleaning Lubrication Coating	74 - 76
 5L 656	Standard Flow Up to 60 liters per Minute	Standard Pressure Up to 10 bar	Narrow to Wide Spray Angle 20° - 30° - 45° - 60° - 90° - 120°	Cleaning Installation Cooling Headers Spray Pipes Roll Cooling Cooling of Rolled Stock Gravel Washing	74 - 76
 5L 657	Standard Flow Up to 90 liters per Minute	Standard Pressure Up to 10 bar	Narrow to Wide Spray Angle 20° - 30° - 45° - 60° - 90° - 120°	Cleaning Installation Cooling Headers Spray Pipes Roll Cooling Cooling of Rolled Stock Gravel Washing	77 - 78
 5L 652 (HP)	Standard Flow Up to 90 liters per Minute	High Pressure Up to 200 bar	Narrow to Standard Spray Angle 20° - 30° - 40° - 45° - 60° - 80°	Spray Cleaning Surface Treatment Filter Cleaning Belt Cleaning Lubrication Coating	79 - 81



SPADFLOW 5L 632/633

Widespread Flat-Fan Nozzle



5L 632 Series

5L 633 Series

G1	Thread Type			Dimensions [mm]				Weight
	BSPT	BSPP	NPT	L ₁	L ₂	Flat	Hex	
1/8"	018T	018P	018T	22.0	6.5	10	14	17 gr
1/4"	014T	014P	014T	22.0	9.7	10	14	20 gr
3/8"	038T	038P	038T	22.0	10.1	-	17	30 gr
1/2"	012T	012P	012T	27.0	13.2	-	22	40 gr

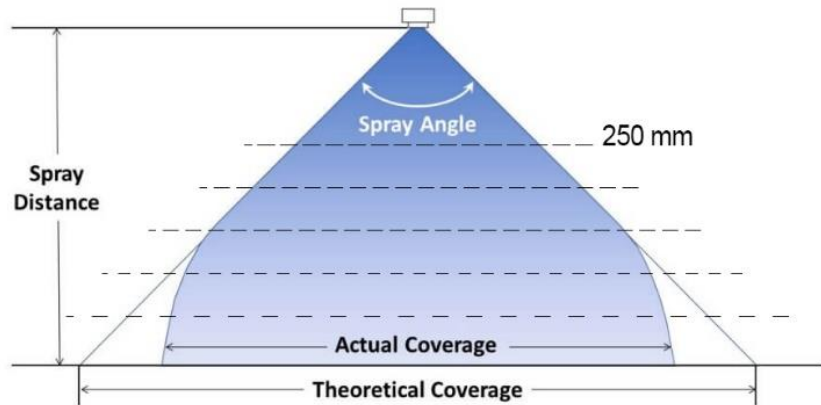
Material*	Code
Brass	1
S.S.304	2
S.S.316	3

* Different materials are available upon request

Properties:

- One - Piece Construction
- Uniform, Parabolic Liquid Distribution
- Stable Spray Angle
- Tapered, Self-Sealing Thread

α	Spray coverage @ 250 mm
20°	85 mm
30°	120 mm
45°	170 mm
60°	290 mm
75°	380 mm
90°	500 mm
120°	910 mm

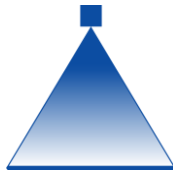


Spray angle (α)	Code	Connection [inch]	A \varnothing [mm]	E \varnothing [mm]	Flow rate [l/min]						
					P [bar]						
					0.5	1.0	2.0	3.0	5.0	7.0	10.0
20°	5L 632 30 . 020	1/8"-1/4"	0.70	0.60	0.16	0.23	0.32	0.39	0.51	0.60	0.72
	5L 632 36 . 020	1/8"-1/4"	1.00	0.80	0.31	0.44	0.63	0.77	1.00	1.18	1.40
	5L 632 44 . 020	1/8"-1/4"	1.35	1.10	0.62	0.88	1.25	1.53	1.98	2.34	2.80
	5L 632 48 . 020	1/8"-1/4"	1.50	1.20	0.80	1.13	1.60	1.96	2.53	2.99	3.58
30°	5L 632 30 . 030	1/8"-1/4"	0.60	0.50	0.16	0.23	0.32	0.39	0.51	0.60	0.72
	5L 632 36 . 030	1/8"-1/4"	1.00	0.70	0.31	0.44	0.63	0.77	1.00	1.18	1.40
	5L 632 40 . 030	1/8"-1/4"	1.20	0.90	0.50	0.71	1.00	1.23	1.58	1.87	2.24



SPADFLOW 5L 632/633

Widespread Flat-Fan Nozzle



Spray angle (α)	Code	Connection [inch]	A Ø [mm]	E Ø [mm]	Flow rate [l/min]						
					P [bar]						
					0.5	1.0 <i>K factor</i>	2.0	3.0	5.0	7.0	10.0
30°	5L 632 48 . 030	1/8"-1/4"	1.50	1.10	0.80	1.13	1.60	1.96	2.53	2.99	3.58
	5L 632 56 . 030	1/8"-1/4"	2.00	1.50	1.25	1.77	2.50	3.06	3.95	4.68	5.59
	5L 632 64 . 030	1/4"	2.50	1.80	2.00	2.83	4.00	4.90	6.33	7.48	8.94
	5L 632 72 . 030	1/4"	3.00	2.40	3.15	4.46	6.30	7.72	9.96	11.79	14.09
	5L 632 76 . 030	1/4"	3.50	2.70	4.00	5.66	8.00	9.80	12.65	14.97	17.89
	5L 632 80 . 030	1/4"	4.00	3.10	5.00	7.07	10.00	12.25	15.81	18.71	22.36
45°	5L 632 30 . 045	1/8"-1/4"	0.70	0.50	0.16	0.23	0.32	0.39	0.51	0.60	0.72
	5L 632 36 . 045	1/8"-1/4"	1.00	0.60	0.31	0.44	0.63	0.77	1.00	1.18	1.40
	5L 632 40 . 045	1/8"-1/4"	1.20	0.90	0.50	0.71	1.00	1.23	1.58	1.87	2.24
	5L 632 48 . 045	1/8"-1/4"	1.50	1.10	0.80	1.13	1.60	1.96	2.53	2.99	3.58
	5L 632 56 . 045	1/8"-1/4"	2.00	1.40	1.25	1.77	2.50	3.06	3.95	4.68	5.59
	5L 632 64 . 045	1/8"-1/4"	2.50	1.80	2.00	2.83	4.00	4.90	6.33	7.48	8.94
	5L 632 67 . 045	1/4"- 3/8"	2.70	2.00	2.83	3.36	4.75	5.82	7.51	8.89	10.62
	5L 632 72 . 045	1/4"- 3/8"	3.00	2.40	3.15	4.46	6.30	7.72	9.96	11.79	14.09
	5L 632 76 . 045	1/4"- 3/8"	3.50	2.60	4.00	5.66	8.00	9.80	12.65	14.97	17.89
	5L 632 80 . 045	1/4"- 3/8"- 1/2"	4.00	3.00	5.00	7.07	10.00	12.25	15.81	18.71	22.36
	5L 632 84 . 045	1/4"- 1/2"	4.50	3.40	6.25	8.84	12.50	15.31	19.76	23.39	27.95
	5L 632 88 . 045	3/8"	5.00	3.80	8.00	11.31	16.00	19.60	25.30	29.93	35.78
5L 632 92 . 045	3/8"	5.50	4.20	10.00	14.14	20.00	24.50	31.62	37.42	44.72	
5L 632 96 . 045	3/8"	6.00	4.40	12.50	17.68	25.00	30.62	39.53	46.77	55.90	
60°	5L 632 30 . 060	1/8"-1/4"	0.70	0.40	0.16	0.23	0.32	0.39	0.51	0.60	0.72
	5L 632 33 . 060	1/8"-1/4"	0.90	0.50	0.22	0.32	0.45	0.55	0.71	0.84	1.01
	5L 632 36 . 060	1/8"-1/4"	1.00	0.60	0.31	0.44	0.63	0.77	1.00	1.18	1.40
	5L 632 40 . 060	1/8"-1/4"	1.20	0.80	0.50	0.71	1.00	1.23	1.58	1.87	2.24
	5L 632 44 . 060	1/8"-1/4"	1.35	0.90	0.62	0.88	1.25	1.53	1.98	2.34	2.80
	5L 632 48 . 060	1/8"-1/4"	1.50	1.00	0.80	1.13	1.60	1.96	2.53	2.99	3.58
	5L 632 51 . 060	1/8"-1/4"	1.65	1.10	0.95	1.34	1.90	2.33	3.00	3.56	4.25
	5L 632 56 . 060	1/8"-1/4"	2.00	1.30	1.25	1.77	2.50	3.06	3.95	4.68	5.59
	5L 632 60 . 060	1/8"-1/4"	2.20	1.50	1.58	2.23	3.15	3.86	4.98	5.89	7.04
	5L 632 64 . 060	1/4"- 3/8"	2.50	1.60	2.00	2.83	4.00	4.90	6.33	7.48	8.94
	5L 632 67 . 060	1/4"- 3/8"	2.70	1.80	2.38	3.36	4.75	5.82	7.51	8.89	10.62
	5L 632 72 . 060	1/4"- 3/8"	3.00	2.10	3.15	4.46	6.30	7.72	9.96	11.79	14.09
	5L 632 76 . 060	1/4"- 3/8"	3.50	2.30	4.00	5.66	8.00	9.80	12.65	14.97	17.89
	5L 632 80 . 060	1/4"- 1/2"	4.00	2.60	5.00	7.07	10.00	12.25	15.81	18.71	22.36
	5L 632 84 . 060	1/4"- 1/2"	4.50	3.00	6.25	8.84	12.50	15.31	19.76	23.39	27.95
	5L 632 88 . 060	1/4"- 1/2"	5.00	3.40	8.00	11.31	16.00	19.60	25.30	29.93	35.78
	5L 632 92 . 060	1/2"	5.50	4.10	10.00	14.14	20.00	24.50	31.62	37.42	44.72
	5L 632 96 . 060	1/2"	6.00	4.20	12.50	17.68	25.00	30.62	39.53	46.77	55.90
5L 633 00 . 060	1/2"	7.00	4.80	15.75	22.27	31.50	38.57	49.80	58.92	70.43	
5L 633 04 . 060	1/2"	8.00	5.50	20.00	28.28	40.00	48.99	63.25	74.83	89.44	
5L 633 08 . 060	1/2"	9.00	6.80	25.00	35.36	50.00	61.24	79.06	93.54	111.80	
75°	5L 632 14 . 075	1/8"-1/4"	0.20	0.12	-	0.04	0.05	0.06	0.08	0.09	0.11
	5L 632 16 . 075	1/8"-1/4"	0.20	0.14	-	0.05	0.07	0.08	0.10	0.12	0.15
	5L 632 18 . 075	1/8"-1/4"	0.20	0.16	-	0.06	0.08	0.10	0.13	0.15	0.18
	5L 632 21 . 075	1/8"-1/4"	0.40	0.20	-	0.08	0.11	0.14	0.18	0.21	0.25
	5L 632 24 . 075	1/8"-1/4"	0.50	0.30	-	0.12	0.16	0.20	0.26	0.30	0.36
	5L 632 27 . 090	1/8"-1/4"	0.60	0.30	0.11	0.16	0.22	0.27	0.35	0.41	0.49
90°	5L 632 21 . 090	1/8"-1/4"	0.40	0.20	-	0.08	0.11	0.14	0.18	0.21	0.25
	5L 632 27 . 090	1/8"-1/4"	0.60	0.30	0.11	0.16	0.22	0.27	0.35	0.41	0.49
	5L 632 30 . 090	1/8"-1/4"	0.70	0.40	0.16	0.23	0.32	0.39	0.51	0.60	0.72
	5L 632 33 . 090	1/8"-1/4"	0.90	0.50	0.22	0.32	0.45	0.55	0.71	0.84	1.01
	5L 632 36 . 090	1/8"-1/4"	1.00	0.50	0.31	0.44	0.63	0.77	1.00	1.18	1.41
	5L 632 40 . 090	1/8"-1/4"	1.20	0.70	0.50	0.71	1.00	1.23	1.58	1.87	2.24
	5L 632 44 . 090	1/8"-1/4"	1.35	0.80	0.62	0.88	1.25	1.53	1.98	2.34	2.80
	5L 632 48 . 090	1/8"-1/4"	1.50	0.80	0.80	1.13	1.60	1.96	2.53	2.99	3.58
	5L 632 51 . 090	1/8"-1/4"	1.65	0.90	0.95	1.34	1.90	2.33	3.00	3.56	4.25
	5L 632 56 . 090	1/8"-1/4"	2.00	1.10	1.25	1.77	2.50	3.06	3.95	4.68	5.59
	5L 632 60 . 090	1/8"-1/4"	2.20	1.20	1.58	2.23	3.15	3.86	4.98	5.89	7.04
	5L 632 64 . 090	1/4"- 3/8"	2.50	1.30	2.00	2.83	4.00	4.90	6.33	7.48	8.94
	5L 632 67 . 090	1/4"- 3/8"	2.70	1.40	2.38	3.36	4.75	5.82	7.51	8.89	10.62
	5L 632 72 . 090	1/4"- 3/8"	3.00	1.70	3.15	4.46	6.30	7.72	9.96	11.79	14.09



SPADFLOW 5L 632/633

Widespread Flat-Fan Nozzle

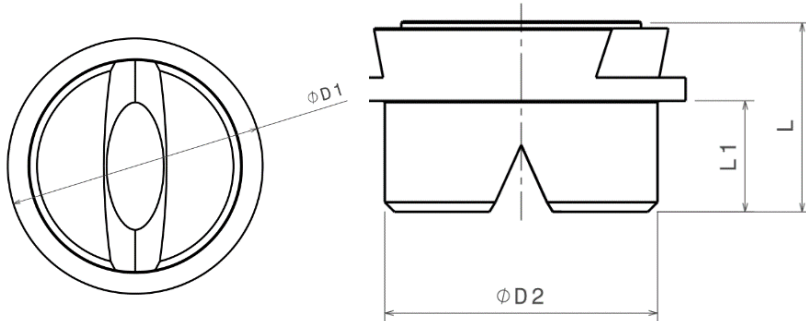


Spray angle (α)	Code	Connection [inch]	A Ø [mm]	E Ø [mm]	Flow rate [l/min]						
					P [bar]						
					0.5	1.0 <i>K factor</i>	2.0	3.0	5.0	7.0	10.0
90°	5L 632 76 . 090	1/4"- 3/8"	3.50	1.90	4.00	5.66	8.00	9.80	12.65	14.97	17.89
	5L 632 80 . 090	1/4"- 1/2"	4.00	2.40	5.00	7.07	10.00	12.25	15.81	18.71	22.36
	5L 632 84 . 090	1/4"- 1/2"	4.50	2.40	6.25	8.84	12.50	15.31	19.76	23.39	27.95
	5L 632 88 . 090	1/4"- 1/2"	5.00	3.10	8.00	11.31	16.00	19.60	25.30	29.93	35.78
	5L 632 92 . 090	1/2"	5.50	3.60	10.00	14.14	20.00	24.50	31.62	37.42	44.72
	5L 632 96 . 090	1/2"	6.00	3.90	12.50	17.68	25.00	30.62	39.53	46.77	55.90
120°	5L 632 18 . 120	1/8"-1/4"	0.35	0.20	-	0.06	0.08	0.10	0.13	0.15	0.18
	5L 632 21 . 120	1/8"-1/4"	0.40	0.20	-	0.08	0.11	0.14	0.18	0.21	0.25
	5L 632 24 . 120	1/8"-1/4"	0.50	0.20	-	0.12	0.16	0.20	0.26	0.30	0.36
	5L 632 27 . 120	1/8"-1/4"	0.60	0.30	-	0.16	0.22	0.27	0.35	0.41	0.49
	5L 632 30 . 120	1/8"-1/4"	0.70	0.30	0.16	0.23	0.32	0.39	0.51	0.60	0.72
	5L 632 33 . 120	1/8"-1/4"	0.90	0.40	0.22	0.32	0.45	0.55	0.71	0.84	1.01
	5L 632 36 . 120	1/8"-1/4"	1.00	0.50	0.31	0.44	0.63	0.77	1.00	1.18	1.41
	5L 632 40 . 120	1/8"-1/4"	1.20	0.60	0.50	0.71	1.00	1.23	1.58	1.87	2.24
	5L 632 44 . 120	1/8"-1/4"	1.35	0.60	0.62	0.88	1.25	1.53	1.98	2.34	2.80
	5L 632 48 . 120	1/8"-1/4"	1.50	0.60	0.80	1.13	1.60	1.96	2.53	2.99	3.58
	5L 632 51 . 120	1/8"-1/4"	1.65	0.90	0.95	1.34	1.90	2.33	3.00	3.56	4.25
	5L 632 56 . 120	1/8"-1/4"	2.00	0.90	1.25	1.77	2.50	3.06	3.95	4.68	5.59
	5L 632 60 . 120	1/8"-1/4"	2.20	1.10	1.58	2.23	3.15	3.86	4.98	5.89	7.04
	5L 632 64 . 120	1/4"- 3/8"	2.50	1.30	2.00	2.83	4.00	4.90	6.33	7.48	8.94
	5L 632 67 . 120	1/4"- 3/8"	2.70	1.40	2.38	3.36	4.75	5.82	7.51	8.89	10.62
	5L 632 72 . 120	1/4"- 3/8"	3.00	1.60	3.15	4.46	6.30	7.72	9.96	11.79	14.09
	5L 632 76 . 120	1/4"- 3/8"	3.50	1.70	4.00	5.66	8.00	9.80	12.65	14.97	17.89
	5L 632 80 . 120	1/4"- 1/2"	4.00	2.00	5.00	7.07	10.00	12.25	15.81	18.71	22.36
	5L 632 84 . 120	1/4"- 1/2"	4.50	2.30	6.25	8.84	12.50	15.31	19.76	23.39	27.95
	5L 632 88 . 120	1/2"	5.00	2.60	8.00	11.31	16.00	19.60	25.30	29.93	35.78
5L 632 92 . 120	1/2"	5.50	2.90	10.00	14.14	20.00	24.50	31.62	37.42	44.72	

SPADFLOW 5L 660

Parabolical Distribution Flat-Fan Nozzle

Webpage
+ STP



G1	Dimensions [mm]				Weight
	L	L1	D1	D2	
Retaining Nut 3/8"	12.0	7.0	14.8	12.0	13 gr

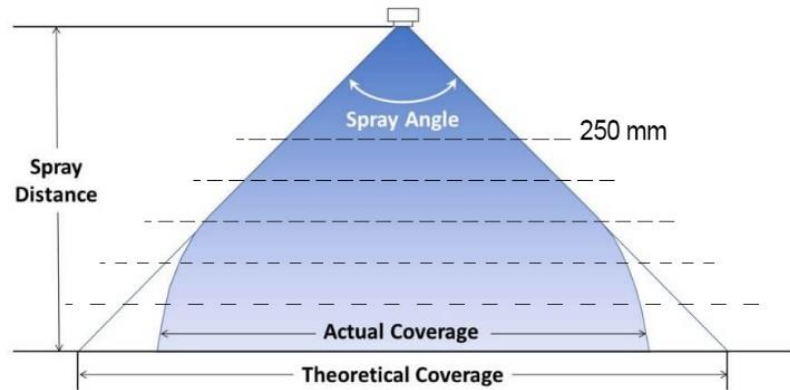
Material*	Code
Brass	1
S.S.304	2
S.S.316	3

* Different materials are available upon request

Properties:

- One - Piece Construction
- Non-Clogging
- Uniform, Parabolic Liquid Distribution
- Stable Spray Angle

α	Spray coverage @ 250 mm
20°	85 mm
30°	120-130 mm
45°	170-220 mm
60°	260-290 mm
75°	380 mm
90°	420-530 mm
120°	630-900 mm



Spray angle (α)	Code	A ϕ [mm]	E ϕ [mm]	Flow rate [l/min]					
				P [bar]					
				0.5	1.0 <i>K factor</i>	2.0	3.0	5.0	10.0
20°	5L 660 30 . 020	0.70	0.60	0.16	0.23	0.32	0.39	0.51	0.72
	5L 660 36 . 020	1.00	0.80	0.31	0.44	0.63	0.77	1.00	1.40
	5L 660 44 . 020	1.35	1.10	0.62	0.88	1.25	1.53	1.98	2.80
	5L 660 48 . 020	1.50	1.20	0.80	1.13	1.60	1.96	2.53	3.58
30°	5L 660 30 . 030	0.60	0.50	0.16	0.23	0.32	0.39	0.51	0.72
	5L 660 36 . 030	1.00	0.70	0.31	0.44	0.63	0.77	1.00	1.40
	5L 660 40 . 030	1.20	0.90	0.50	0.71	1.00	1.23	1.58	2.24
	5L 660 48 . 030	1.50	1.10	0.80	1.13	1.60	1.96	2.53	3.57
	5L 660 56 . 030	2.00	1.50	1.25	1.76	2.50	3.06	3.95	5.59



SPADFLOW 5L 660

Parabolical Distribution Flat-Fan Nozzle

Webpage
+ STP



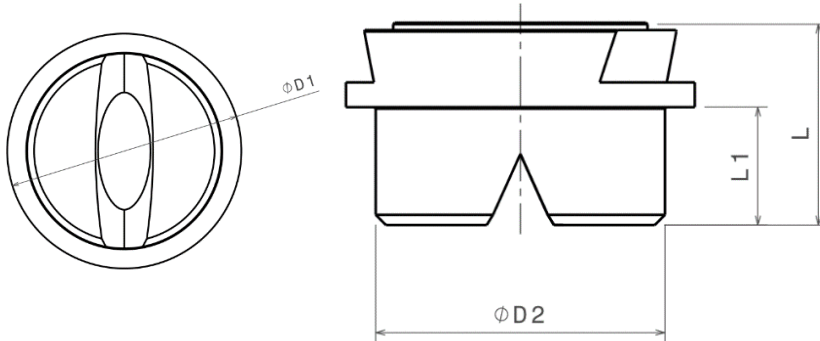
Spray angle (α)	Code	A Ø [mm]	E Ø [mm]	Flow rate [l/min]					
				P [bar]					
				0.5	1.0 <i>K Factor</i>	2.0	3.0	5.0	10.0
45°	5L 660 30 . 045	0.70	0.50	0.16	0.23	0.32	0.39	0.51	0.72
	5L 660 36 . 045	1.00	0.60	0.31	0.44	0.63	0.77	1.00	1.40
	5L 660 40 . 045	1.20	0.90	0.50	0.71	1.00	1.23	1.58	2.24
	5L 660 48 . 045	1.50	1.10	0.80	1.13	1.60	1.96	2.53	3.58
	5L 660 56 . 045	2.00	1.40	1.25	1.76	2.50	3.06	3.95	5.59
	5L 660 64 . 045	2.50	1.80	2.00	2.83	4.00	4.90	6.33	8.94
60°	5L 660 30 . 060	0.70	0.40	0.16	0.23	0.32	0.39	0.51	0.72
	5L 660 33 . 060	0.90	0.50	0.22	0.32	0.45	0.55	0.71	1.01
	5L 660 36 . 060	1.00	0.60	0.31	0.44	0.63	0.77	1.00	1.40
	5L 660 40 . 060	1.20	0.80	0.50	0.71	1.00	1.23	1.58	2.24
	5L 660 44 . 060	1.35	0.90	0.62	0.88	1.25	1.53	1.98	2.80
	5L 660 48 . 060	1.50	1.00	0.80	1.13	1.60	1.96	2.53	3.58
	5L 660 51 . 060	1.65	1.10	0.95	1.34	1.90	2.33	3.00	4.25
	5L 660 56 . 060	2.00	1.30	1.25	1.77	2.50	3.06	3.95	5.59
	5L 660 60 . 060	2.20	1.50	1.58	2.23	3.15	3.86	4.98	7.04
	5L 660 64 . 060	2.50	1.60	2.00	2.83	4.00	4.90	6.33	8.94
	5L 660 72 . 060	3.00	2.10	3.15	4.46	6.30	7.72	9.96	14.09
5L 660 80 . 060	4.00	2.60	5.00	7.07	10.00	12.25	15.81	22.36	
75°	5L 660 14 . 075	0.20	0.12	-	0.04	0.05	0.06	0.08	0.11
	5L 660 16 . 075	0.20	0.14	-	0.05	0.07	0.08	0.10	0.15
	5L 660 18 . 075	0.20	0.16	-	0.06	0.08	0.10	0.13	0.18
	5L 660 21 . 075	0.50	0.20	-	0.08	0.11	0.14	0.18	0.25
	5L 660 24 . 075	0.50	0.30	-	0.12	0.16	0.20	0.26	0.36
	5L 660 27 . 075	0.60	0.30	0.11	0.16	0.22	0.27	0.35	0.49
90°	5L 660 21 . 090	0.40	0.20	-	0.08	0.11	0.14	0.18	0.25
	5L 660 27 . 090	0.60	0.30	0.11	0.16	0.22	0.27	0.35	0.49
	5L 660 30 . 090	0.70	0.40	0.16	0.23	0.32	0.39	0.51	0.72
	5L 660 33 . 090	0.90	0.50	0.22	0.32	0.45	0.55	0.71	1.01
	5L 660 36 . 090	1.00	0.50	0.31	0.44	0.63	0.77	1.00	1.41
	5L 660 40 . 090	1.20	0.70	0.50	0.71	1.00	1.23	1.58	2.24
	5L 660 44 . 090	1.35	0.80	0.62	0.88	1.25	1.53	1.98	2.80
	5L 660 48 . 090	1.50	0.80	0.80	1.13	1.60	1.96	2.53	3.58
	5L 660 51 . 090	1.65	0.90	0.95	1.34	1.90	2.33	3.00	4.25
	5L 660 56 . 090	2.00	1.10	1.25	1.77	2.50	3.06	3.95	5.59
	5L 660 60 . 090	2.20	1.20	1.58	2.23	3.15	3.86	4.98	7.04
	5L 660 64 . 090	2.50	1.30	2.00	2.83	4.00	4.90	6.33	8.94
	5L 660 67 . 090	2.70	1.40	2.38	3.36	4.75	5.82	7.51	10.62
	5L 660 72 . 090	3.00	1.70	3.15	4.46	6.30	7.72	9.96	14.09
5L 660 80 . 090	4.00	2.40	5.00	7.07	10.00	12.25	15.81	22.36	
120°	5L 660 18 . 120	0.35	0.20	-	0.06	0.08	0.10	0.13	0.18
	5L 660 21 . 120	0.40	0.20	-	0.08	0.11	0.14	0.18	0.25
	5L 660 24 . 120	0.50	0.20	-	0.12	0.16	0.20	0.26	0.36
	5L 660 27 . 120	0.60	0.30	-	0.16	0.22	0.27	0.35	0.49
	5L 660 30 . 120	0.70	0.30	0.16	0.23	0.32	0.39	0.51	0.72
	5L 660 33 . 120	0.90	0.40	0.22	0.32	0.45	0.55	0.71	1.00
	5L 660 36 . 120	1.00	0.40	0.31	0.44	0.63	0.77	1.00	1.41
	5L 660 40 . 120	1.20	0.60	0.50	0.71	1.00	1.23	1.58	2.24
	5L 660 44 . 120	1.35	0.60	0.62	0.88	1.25	1.53	1.98	2.80
	5L 660 48 . 120	1.50	0.60	0.80	1.13	1.60	1.96	2.53	3.58
	5L 660 51 . 120	1.65	0.90	0.95	1.34	1.90	2.33	3.00	4.25
	5L 660 56 . 120	2.00	0.90	1.25	1.77	2.50	3.06	3.95	5.59
	5L 660 60 . 120	2.20	1.10	1.58	2.23	3.15	3.86	4.98	7.04
	5L 660 64 . 120	2.50	1.30	2.00	2.83	4.00	4.90	6.33	8.94
	5L 660 72 . 120	3.00	1.60	3.15	4.46	6.30	7.72	9.96	14.09
	5L 660 80 . 120	4.00	2.00	5.00	7.07	10.00	12.25	15.81	22.36



SPADFLOW 5L 664/665

Parabolical Distribution Flat-Fan Nozzle

Webpage
+ STP



G1	Dimensions [mm]				Weight
	L	L1	D1	D2	
Retaining Nut 3/4"	14.0	8.0	24.0	20.0	13 gr

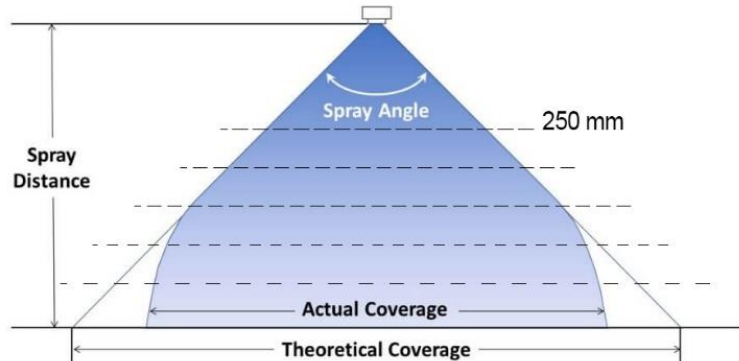
Material*	Code
Brass	1
S.S.304	2
S.S.316	3

* Different materials are available upon request

Properties:

- One - Piece Construction
- Non-Clogging Nozzle
- Uniform, Parabolic Liquid Distribution
- Stable Spray Angle

α	Spray coverage @ 250 mm
20°	100 mm
30°	140 mm
45°	220 mm
60°	280 mm
90°	520 mm
120°	890 mm



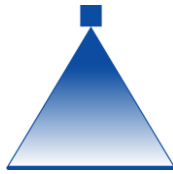
Spray angle (α)	Code	A ϕ [mm]	E ϕ [mm]	Flow rate [l/min]					
				P [bar]					
				0.5	1.0 <i>K factor</i>	2.0	3.0	5.0	10.0
20°	5L 664 72 . 020	3.00	2.50	3.15	4.45	6.30	7.72	9.96	14.09
	5L 664 80 . 020	4.00	3.20	5.00	7.07	10.00	12.25	15.81	22.36
	5L 664 88 . 020	5.00	4.00	8.00	11.31	16.00	19.60	25.30	35.78
	5L 664 92 . 020	5.50	4.40	10.00	14.14	20.00	24.49	31.62	44.72
	5L 664 96 . 020	6.00	5.10	12.50	17.68	25.00	30.62	39.53	55.90
30°	5L 664 72 . 030	3.00	2.40	3.15	4.45	6.30	7.72	9.96	14.09
	5L 664 76 . 030	3.50	2.70	4.00	5.66	8.00	9.80	12.65	17.89
	5L 664 80 . 030	4.00	3.10	5.00	7.07	10.00	12.25	15.81	22.36
	5L 664 88 . 030	5.00	4.00	8.00	11.31	16.00	19.60	25.30	35.78
	5L 664 92 . 030	5.50	4.40	10.00	14.14	20.00	24.49	31.62	44.72
	5L 664 96 . 030	6.00	5.00	12.50	17.68	25.00	30.62	39.53	55.90
	5L 665 04 . 030	8.00	6.40	20.00	28.28	40.00	48.99	63.25	89.44
5L 665 12 . 030	10.00	8.20	31.50	44.55	63.00	77.16	99.61	140.87	



SPADFLOW 5L 664/665

Parabolical Distribution Flat-Fan Nozzle

Webpage
+ STP

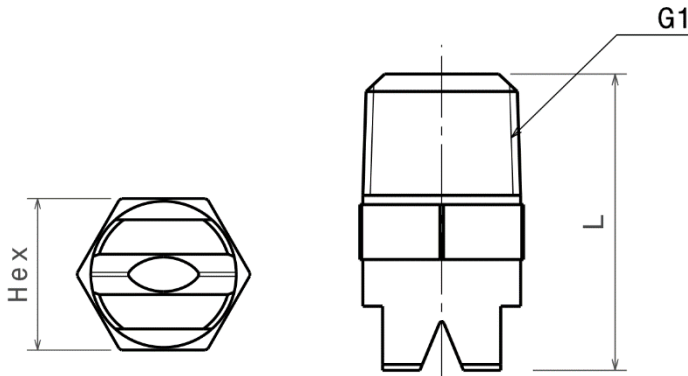


Spray angle (α)	Code	A Ø [mm]	E Ø [mm]	Flow rate [l/min]					
				P [bar]					
				0.5	1.0 <i>K Factor</i>	2.0	3.0	5.0	10.0
45°	5L 664 72 . 045	3.00	2.40	3.15	4.45	6.30	7.72	9.96	14.09
	5L 664 76 . 045	3.50	2.60	4.00	5.66	8.00	9.80	12.65	17.89
	5L 664 80 . 045	4.00	3.00	5.00	7.07	10.00	12.25	15.81	22.36
	5L 664 84 . 045	4.50	3.40	6.25	8.84	12.50	15.31	19.76	27.95
	5L 664 88 . 045	5.00	3.80	8.00	11.31	16.00	19.60	25.30	35.78
	5L 664 92 . 045	5.50	4.20	10.00	14.14	20.00	24.49	31.62	44.72
	5L 664 96 . 045	6.00	4.40	12.50	17.68	25.00	30.62	39.53	55.90
	5L 665 04 . 045	8.00	5.90	20.00	28.28	40.00	48.99	63.25	89.44
60°	5L 664 72 . 060	3.00	2.10	3.15	4.45	6.30	7.72	9.96	14.09
	5L 664 76 . 060	3.50	2.30	4.00	5.66	8.00	9.80	12.65	17.89
	5L 664 80 . 060	4.00	2.60	5.00	7.07	10.00	12.25	15.81	22.36
	5L 664 84 . 060	4.50	3.00	6.25	8.84	12.50	15.31	19.76	27.95
	5L 664 88 . 060	5.00	3.40	8.00	11.31	16.00	19.60	25.30	35.78
	5L 664 92 . 060	5.50	4.10	10.00	14.14	20.00	24.49	31.62	44.72
	5L 664 96 . 060	6.00	4.20	12.50	17.68	25.00	30.62	39.53	55.90
	5L 665 04 . 060	8.00	5.50	20.00	28.28	40.00	48.99	63.25	89.44
	5L 665 08 . 060	9.00	6.20	25.00	35.36	50.00	61.24	79.06	111.80
5L 665 12 . 060	10.00	7.40	31.50	44.55	63.00	77.16	99.61	140.87	
90°	5L 664 72 . 090	3.00	1.70	3.15	4.45	6.30	7.72	9.96	14.09
	5L 664 76 . 090	3.50	1.90	4.00	5.66	8.00	9.80	12.65	17.89
	5L 664 80 . 090	4.00	2.40	5.00	7.07	10.00	12.25	15.81	22.36
	5L 664 84 . 090	4.50	2.40	6.25	8.84	12.50	15.31	19.76	27.95
	5L 664 88 . 090	5.00	3.10	8.00	11.31	16.00	19.60	25.30	35.78
	5L 664 92 . 090	5.50	3.60	10.00	14.14	20.00	24.49	31.62	44.72
	5L 664 96 . 090	6.00	3.90	12.50	17.68	25.00	30.62	39.53	55.90
	5L 665 04 . 090	8.00	4.90	20.00	28.28	40.00	48.99	63.25	89.44
5L 665 12 . 090	10.00	6.40	31.50	44.55	63.00	77.16	99.61	140.87	
120°	5L 664 72 . 120	3.00	1.60	3.15	4.45	6.30	7.72	9.96	14.09
	5L 664 76 . 120	3.50	1.70	4.00	5.66	8.00	9.80	12.65	17.89
	5L 664 80 . 120	4.00	2.00	5.00	7.07	10.00	12.25	15.81	22.36
	5L 664 88 . 120	5.00	2.60	8.00	11.31	16.00	19.60	25.30	35.78
	5L 664 92 . 120	5.50	2.90	10.00	14.14	20.00	24.49	31.62	44.72
	5L 664 96 . 120	6.00	3.20	12.50	17.68	25.00	30.62	39.53	55.90
	5L 665 04 . 120	8.00	4.40	20.00	28.28	40.00	48.99	63.25	89.44

SPADFLOW 5B NF

Widespread Flat-Fan Nozzle

Webpage
+ STP

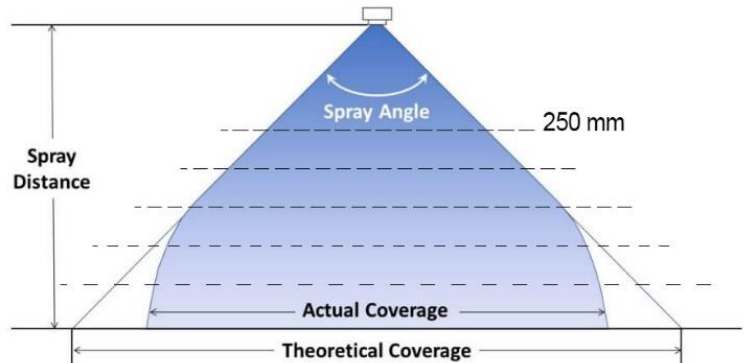


G1	Thread Type			Dimensions [mm]		Weight
	BSPT	BSPP	NPT	L	Hex	
1/8"	018T	018P	018N	22.2	11.1	28.4 gr
1/4"	014T	014P	014N	27.0	14.3	42.5 gr
3/8"	038T	038P	038N	31.8	17.5	56.7 gr
1/2"	012T	012P	012N	38.1	22.2	85.1 gr
3/4"	034T	034P	034N	44.5	28.6	170 gr
1"	100T	100P	100N	55.6	34.9	227 gr
1 1/4"	114T	114P	114N	63.5	44.5	340 gr
1 1/2"	112T	112P	112N	76.2	50.8	567 gr
2"	200T	200P	200N	88.9	63.5	1588 gr

Material*	Code
Brass	1
S.S.304	2
S.S.316	3

* Different materials are available upon request

α	Spray coverage @ 250 mm
15°	60 mm
30°	120 mm
50°	220 mm
65°	300 mm
80°	400 mm
90°	500 mm
110°	680 mm
120°	800 mm



Spray angle (α)	Code	Connection [inch]	A \varnothing [mm]	Flow rate [l/min]							
				P [bar]							
				0.5	0.7	1.0 <i>K factor</i>	2.0	3.0	5.0	10	30
15°	5B NF01 . 015	1/8"-1/4"	0.66	0.16	0.19	0.23	0.32	0.39	0.51	0.72	1.25
	5B NF015 . 015	1/8"-1/4"	0.79	0.24	0.29	0.34	0.48	0.59	0.76	1.08	1.87
	5B NF02 . 015	1/8"-1/4"	0.91	0.32	0.38	0.46	0.64	0.79	1.02	1.44	2.49
	5B NF025 . 015	1/8"-1/4"	1.02	0.4	0.48	0.57	0.81	0.99	1.27	1.8	3.12
	5B NF03 . 015	1/8"-1/4"	1.09	0.48	0.57	0.68	0.97	1.18	1.53	2.16	3.74
	5B NF04 . 015	1/8"-1/4"	1.32	0.64	0.76	0.91	1.29	1.58	2.04	2.88	4.99
	5B NF05 . 015	1/8"-1/4"	1.45	0.81	0.95	1.14	1.61	1.97	2.55	3.6	6.24
	5B NF06 . 015	1/8"-1/4"	1.57	0.97	1.14	1.37	1.93	2.37	3.06	4.33	7.49
	5B NF08 . 015	1/8"-1/4"	1.83	1.28	1.52	1.82	2.57	3.15	4.06	5.74	9.95
	5B NF10 . 015	1/8"-1/4"-3/8"	2.03	1.61	1.91	2.28	3.22	3.95	5.1	7.21	12.5



SPADFLOW 5B NF

Widespread Flat-Fan Nozzle

Webpage
+ STP



Spray angle (α)	Code	Connection [inch]	A Ø [mm]	Flow rate [l/min]							
				P [bar]							
				0.5	0.7	1.0 <i>K factor</i>	2.0	3.0	5.0	10	30
15°	5B NF15 . 015	1/8"-1/4"-3/8"	2.38	2.42	2.86	3.42	4.83	5.92	7.64	10.8	18.7
	5B NF20 . 015	1/8"-1/4"-3/8"	2.78	3.22	3.81	4.56	6.45	7.89	10.2	14.4	25
	5B NF30 . 015	1/8"-1/4"-3/8"	3.57	4.83	5.72	6.84	9.67	11.8	15.3	21.6	37.4
	5B NF40 . 015	1/8"-1/4"-3/8"	3.97	6.45	7.63	9.12	12.9	15.8	20.4	28.8	49.9
	5B NF50 . 015	1/4"-3/8"	4.37	8.06	9.53	11.4	16.1	19.7	25.5	36	62.4
	5B NF60 . 015	1/4"-3/8"-1/2"	4.76	9.67	11.4	13.7	19.3	23.7	30.6	43.2	74.9
	5B NF70 . 015	1/4"-3/8"-1/2"	5.16	11.3	13.3	16	22.6	27.6	35.7	50.4	87.4
	5B NF80 . 015	3/8"-1/2"	5.56	12.9	15.3	18.2	25.8	31.6	40.8	57.7	99.9
	5B NF90 . 015	3/8"-1/2"	5.95	14.5	17.2	20.5	29	35.5	45.9	64.9	112
	5B NF100 . 015	3/8"-1/2"	6.35	16.1	19.1	22.8	32.2	39.5	51	72.1	125
	5B NF120 . 015	3/8"-1/2"	6.75	19.3	22.9	27.3	38.7	47.4	61.1	86.5	150
	5B NF150 . 015	1/2"	7.54	24.2	28.6	34.2	48.3	59.2	76.4	108	187
	5B NF200 . 015	1/2"	8.73	32.2	38.1	45.6	64.5	78.9	102	144	250
	5B NF300 . 015	3/4"	10.7	48.3	57.2	68.4	96.7	118	153	216	374
	5B NF400 . 015	3/4"-1"	12.7	64.5	76.3	91.2	129	158	204	288	499
	5B NF750 . 015	1"	17.5	121	143	171	242	296	382	540	936
	5B NF800 . 015	1 1/4"	18.3	129	153	182	258	316	408	577	999
5B NF1150 . 015	1 1/4"	21.8	185	219	262	371	454	586	829	1440	
5B NF1500 . 015	1 1/2"	24.6	242	286	342	483	592	764	1080	1870	
5B NF2250 . 015	2"	30.2	362	429	513	725	890	1150	1620	2810	
30°	5B NF01 . 030	1/8"-1/4"	0.66	0.16	0.19	0.23	0.32	0.39	0.51	0.72	1.25
	5B NF015 . 030	1/8"-1/4"	0.79	0.24	0.29	0.34	0.48	0.59	0.76	1.08	1.87
	5B NF02 . 030	1/8"-1/4"	0.91	0.32	0.38	0.46	0.64	0.79	1.02	1.44	2.49
	5B NF025 . 030	1/8"-1/4"	1.02	0.4	0.48	0.57	0.81	0.99	1.27	1.8	3.12
	5B NF03 . 030	1/8"-1/4"	1.09	0.48	0.57	0.68	0.97	1.18	1.53	2.16	3.74
	5B NF04 . 030	1/8"-1/4"	1.32	0.64	0.76	0.91	1.29	1.58	2.04	2.88	4.99
	5B NF05 . 030	1/8"-1/4"	1.45	0.81	0.95	1.14	1.61	1.97	2.55	3.6	6.24
	5B NF06 . 030	1/8"-1/4"	1.57	0.97	1.14	1.37	1.93	2.37	3.06	4.33	7.49
	5B NF08 . 030	1/8"-1/4"	1.83	1.28	1.52	1.82	2.57	3.15	4.06	5.74	9.95
	5B NF10 . 030	1/8"-1/4"-3/8"	2.03	1.61	1.91	2.28	3.22	3.95	5.1	7.21	12.5
	5B NF15 . 030	1/8"-1/4"-3/8"	2.38	2.42	2.86	3.42	4.83	5.92	7.64	10.8	18.7
	5B NF20 . 030	1/8"-1/4"-3/8"	2.78	3.22	3.81	4.56	6.45	7.89	10.2	14.4	25
	5B NF30 . 030	1/8"-1/4"-3/8"	3.57	4.83	5.72	6.84	9.67	11.8	15.3	21.6	37.4
	5B NF40 . 030	1/8"-1/4"-3/8"	3.97	6.45	7.63	9.12	12.9	15.8	20.4	28.8	49.9
	5B NF50 . 030	1/4"-3/8"	4.37	8.06	9.53	11.4	16.1	19.7	25.5	36	62.4
	5B NF60 . 030	1/4"-3/8"-1/2"	4.76	9.67	11.4	13.7	19.3	23.7	30.6	43.2	74.9
	5B NF70 . 030	1/4"-3/8"-1/2"	5.16	11.3	13.3	16	22.6	27.6	35.7	50.4	87.4
	5B NF80 . 030	3/8"-1/2"	5.56	12.9	15.3	18.2	25.8	31.6	40.8	57.7	99.9
	5B NF90 . 030	3/8"-1/2"	5.95	14.5	17.2	20.5	29	35.5	45.9	64.9	112
	5B NF100 . 030	3/8"-1/2"	6.35	16.1	19.1	22.8	32.2	39.5	51	72.1	125
	5B NF120 . 030	3/8"-1/2"	6.75	19.3	22.9	27.3	38.7	47.4	61.1	86.5	150
	5B NF150 . 030	1/2"	7.54	24.2	28.6	34.2	48.3	59.2	76.4	108	187
	5B NF200 . 030	1/2"	8.73	32.2	38.1	45.6	64.5	78.9	102	144	250
	5B NF300 . 030	3/4"	10.7	48.3	57.2	68.4	96.7	118	153	216	374
	5B NF400 . 030	3/4"-1"	12.7	64.5	76.3	91.2	129	158	204	288	499
	5B NF750 . 030	1"	17.5	121	143	171	242	296	382	540	936
	5B NF800 . 030	1 1/4"	18.3	129	153	182	258	316	408	577	999
5B NF1150 . 030	1 1/4"	21.8	185	219	262	371	454	586	829	1440	
5B NF1500 . 030	1 1/2"	24.6	242	286	342	483	592	764	1080	1870	
5B NF2250 . 030	2"	30.2	362	429	513	725	890	1150	1620	2810	
50°	5B NF01 . 050	1/8"-1/4"	0.66	0.16	0.19	0.23	0.32	0.39	0.51	0.72	1.25
	5B NF015 . 050	1/8"-1/4"	0.79	0.24	0.29	0.34	0.48	0.59	0.76	1.08	1.87
	5B NF02 . 050	1/8"-1/4"	0.91	0.32	0.38	0.46	0.64	0.79	1.02	1.44	2.49
	5B NF025 . 050	1/8"-1/4"	1.02	0.4	0.48	0.57	0.81	0.99	1.27	1.8	3.12
	5B NF03 . 050	1/8"-1/4"	1.09	0.48	0.57	0.68	0.97	1.18	1.53	2.16	3.74
	5B NF04 . 050	1/8"-1/4"	1.32	0.64	0.76	0.91	1.29	1.58	2.04	2.88	4.99
	5B NF05 . 050	1/8"-1/4"	1.45	0.81	0.95	1.14	1.61	1.97	2.55	3.6	6.24
	5B NF06 . 050	1/8"-1/4"	1.57	0.97	1.14	1.37	1.93	2.37	3.06	4.33	7.49
	5B NF08 . 050	1/8"-1/4"	1.83	1.28	1.52	1.82	2.57	3.15	4.06	5.74	9.95
	5B NF10 . 050	1/8"-1/4"-3/8"	2.03	1.61	1.91	2.28	3.22	3.95	5.1	7.21	12.5



SPADFLOW 5B NF

Widespread Flat-Fan Nozzle

Webpage
+ STP



Spray angle (α)	Code	Connection [inch]	A Ø [mm]	Flow rate [l/min]							
				P [bar]							
				0.5	0.7	1.0 <i>K factor</i>	2.0	3.0	5.0	10	30
50°	5B NF15 . 050	1/8"-1/4"-3/8"	2.38	2.42	2.86	3.42	4.83	5.92	7.64	10.8	18.7
	5B NF20 . 050	1/8"-1/4"-3/8"	2.78	3.22	3.81	4.56	6.45	7.89	10.2	14.4	25
	5B NF30 . 050	1/8"-1/4"-3/8"	3.57	4.83	5.72	6.84	9.67	11.8	15.3	21.6	37.4
	5B NF40 . 050	1/8"-1/4"-3/8"	3.97	6.45	7.63	9.12	12.9	15.8	20.4	28.8	49.9
	5B NF50 . 050	1/4"-3/8"	4.37	8.06	9.53	11.4	16.1	19.7	25.5	36	62.4
	5B NF60 . 050	1/4"-3/8"-1/2"	4.76	9.67	11.4	13.7	19.3	23.7	30.6	43.2	74.9
	5B NF70 . 050	1/4"-3/8"-1/2"	5.16	11.3	13.3	16	22.6	27.6	35.7	50.4	87.4
	5B NF80 . 050	3/8"-1/2"	5.56	12.9	15.3	18.2	25.8	31.6	40.8	57.7	99.9
	5B NF90 . 050	3/8"-1/2"	5.95	14.5	17.2	20.5	29	35.5	45.9	64.9	112
	5B NF100 . 050	3/8"-1/2"	6.35	16.1	19.1	22.8	32.2	39.5	51	72.1	125
	5B NF120 . 050	3/8"-1/2"	6.75	19.3	22.9	27.3	38.7	47.4	61.1	86.5	150
	5B NF150 . 050	1/2"	7.54	24.2	28.6	34.2	48.3	59.2	76.4	108	187
	5B NF200 . 050	1/2"	8.73	32.2	38.1	45.6	64.5	78.9	102	144	250
	5B NF300 . 050	3/4"	10.7	48.3	57.2	68.4	96.7	118	153	216	374
	5B NF400 . 050	3/4"-1"	12.7	64.5	76.3	91.2	129	158	204	288	499
	5B NF750 . 050	1"	17.5	121	143	171	242	296	382	540	936
	5B NF800 . 050	1 1/4"	18.3	129	153	182	258	316	408	577	999
	5B NF1150 . 050	1 1/4"	21.8	185	219	262	371	454	586	829	1440
5B NF1500 . 050	1 1/2"	24.6	242	286	342	483	592	764	1080	1870	
5B NF2250 . 050	2"	30.2	362	429	513	725	890	1150	1620	2810	
65°	5B NF01 . 065	1/8"-1/4"	0.66	0.16	0.19	0.23	0.32	0.39	0.51	0.72	1.25
	5B NF015 . 065	1/8"-1/4"	0.79	0.24	0.29	0.34	0.48	0.59	0.76	1.08	1.87
	5B NF02 . 065	1/8"-1/4"	0.91	0.32	0.38	0.46	0.64	0.79	1.02	1.44	2.49
	5B NF025 . 065	1/8"-1/4"	1.02	0.4	0.48	0.57	0.81	0.99	1.27	1.8	3.12
	5B NF03 . 065	1/8"-1/4"	1.09	0.48	0.57	0.68	0.97	1.18	1.53	2.16	3.74
	5B NF04 . 065	1/8"-1/4"	1.32	0.64	0.76	0.91	1.29	1.58	2.04	2.88	4.99
	5B NF05 . 065	1/8"-1/4"	1.45	0.81	0.95	1.14	1.61	1.97	2.55	3.6	6.24
	5B NF06 . 065	1/8"-1/4"	1.57	0.97	1.14	1.37	1.93	2.37	3.06	4.33	7.49
	5B NF08 . 065	1/8"-1/4"	1.83	1.28	1.52	1.82	2.57	3.15	4.06	5.74	9.95
	5B NF10 . 065	1/8"-1/4"-3/8"	2.03	1.61	1.91	2.28	3.22	3.95	5.1	7.21	12.5
	5B NF15 . 065	1/8"-1/4"-3/8"	2.38	2.42	2.86	3.42	4.83	5.92	7.64	10.8	18.7
	5B NF20 . 065	1/8"-1/4"-3/8"	2.78	3.22	3.81	4.56	6.45	7.89	10.2	14.4	25
	5B NF30 . 065	1/8"-1/4"-3/8"	3.57	4.83	5.72	6.84	9.67	11.8	15.3	21.6	37.4
	5B NF40 . 065	1/8"-1/4"-3/8"	3.97	6.45	7.63	9.12	12.9	15.8	20.4	28.8	49.9
	5B NF50 . 065	1/4"-3/8"	4.37	8.06	9.53	11.4	16.1	19.7	25.5	36	62.4
	5B NF60 . 065	1/4"-3/8"-1/2"	4.76	9.67	11.4	13.7	19.3	23.7	30.6	43.2	74.9
	5B NF70 . 065	1/4"-3/8"-1/2"	5.16	11.3	13.3	16	22.6	27.6	35.7	50.4	87.4
	5B NF80 . 065	3/8"-1/2"	5.56	12.9	15.3	18.2	25.8	31.6	40.8	57.7	99.9
	5B NF90 . 065	3/8"-1/2"	5.95	14.5	17.2	20.5	29	35.5	45.9	64.9	112
	5B NF100 . 065	3/8"-1/2"	6.35	16.1	19.1	22.8	32.2	39.5	51	72.1	125
	5B NF120 . 065	3/8"-1/2"	6.75	19.3	22.9	27.3	38.7	47.4	61.1	86.5	150
	5B NF150 . 065	1/2"	7.54	24.2	28.6	34.2	48.3	59.2	76.4	108	187
	5B NF200 . 065	1/2"	8.73	32.2	38.1	45.6	64.5	78.9	102	144	250
	5B NF300 . 065	3/4"	10.7	48.3	57.2	68.4	96.7	118	153	216	374
	5B NF400 . 065	3/4"-1"	12.7	64.5	76.3	91.2	129	158	204	288	499
	5B NF750 . 065	1"	17.5	121	143	171	242	296	382	540	936
	5B NF800 . 065	1 1/4"	18.3	129	153	182	258	316	408	577	999
	5B NF1150 . 065	1 1/4"	21.8	185	219	262	371	454	586	829	1440
5B NF1500 . 065	1 1/2"	24.6	242	286	342	483	592	764	1080	1870	
5B NF2250 . 065	2"	30.2	362	429	513	725	890	1150	1620	2810	
80°	5B NF01 . 080	1/8"-1/4"	0.66	0.16	0.19	0.23	0.32	0.39	0.51	0.72	1.25
	5B NF015 . 080	1/8"-1/4"	0.79	0.24	0.29	0.34	0.48	0.59	0.76	1.08	1.87
	5B NF02 . 080	1/8"-1/4"	0.91	0.32	0.38	0.46	0.64	0.79	1.02	1.44	2.49
	5B NF025 . 080	1/8"-1/4"	1.02	0.4	0.48	0.57	0.81	0.99	1.27	1.8	3.12
	5B NF03 . 080	1/8"-1/4"	1.09	0.48	0.57	0.68	0.97	1.18	1.53	2.16	3.74
	5B NF04 . 080	1/8"-1/4"	1.32	0.64	0.76	0.91	1.29	1.58	2.04	2.88	4.99
	5B NF05 . 080	1/8"-1/4"	1.45	0.81	0.95	1.14	1.61	1.97	2.55	3.6	6.24
	5B NF06 . 080	1/8"-1/4"	1.57	0.97	1.14	1.37	1.93	2.37	3.06	4.33	7.49
	5B NF08 . 080	1/8"-1/4"	1.83	1.28	1.52	1.82	2.57	3.15	4.06	5.74	9.95
	5B NF10 . 080	1/8"-1/4"-3/8"	2.03	1.61	1.91	2.28	3.22	3.95	5.1	7.21	12.5
	5B NF15 . 080	1/8"-1/4"-3/8"	2.38	2.42	2.86	3.42	4.83	5.92	7.64	10.8	18.7
	5B NF20 . 080	1/8"-1/4"-3/8"	2.78	3.22	3.81	4.56	6.45	7.89	10.2	14.4	25



SPADFLOW 5B NF

Widespread Flat-Fan Nozzle

Webpage
+ STP



Spray angle (α)	Code	Connection [inch]	A Ø [mm]	Flow rate [l/min]							
				P [bar]							
				0.5	0.7	1.0 <i>K factor</i>	2.0	3.0	5.0	10	30
80°	5B NF30 .080	1/8"-1/4"-3/8"	3.57	4.83	5.72	6.84	9.67	11.8	15.3	21.6	37.4
	5B NF40 .080	1/8"-1/4"-3/8"	3.97	6.45	7.63	9.12	12.9	15.8	20.4	28.8	49.9
	5B NF50 .080	1/4"-3/8"	4.37	8.06	9.53	11.4	16.1	19.7	25.5	36	62.4
	5B NF60 .080	1/4"-3/8"-1/2"	4.76	9.67	11.4	13.7	19.3	23.7	30.6	43.2	74.9
	5B NF70 .080	1/4"-3/8"-1/2"	5.16	11.3	13.3	16	22.6	27.6	35.7	50.4	87.4
	5B NF80 .080	3/8"-1/2"	5.56	12.9	15.3	18.2	25.8	31.6	40.8	57.7	99.9
	5B NF90 .080	3/8"-1/2"	5.95	14.5	17.2	20.5	29	35.5	45.9	64.9	112
	5B NF100 .080	3/8"-1/2"	6.35	16.1	19.1	22.8	32.2	39.5	51	72.1	125
	5B NF120 .080	3/8"-1/2"	6.75	19.3	22.9	27.3	38.7	47.4	61.1	86.5	150
	5B NF150 .080	1/2"	7.54	24.2	28.6	34.2	48.3	59.2	76.4	108	187
	5B NF200 .080	1/2"	8.73	32.2	38.1	45.6	64.5	78.9	102	144	250
	5B NF300 .080	3/4"	10.7	48.3	57.2	68.4	96.7	118	153	216	374
	5B NF400 .080	3/4"-1"	12.7	64.5	76.3	91.2	129	158	204	288	499
	5B NF750 .080	1"	17.5	121	143	171	242	296	382	540	936
	5B NF800 .080	1 1/4"	18.3	129	153	182	258	316	408	577	999
	5B NF1150 .080	1 1/4"	21.8	185	219	262	371	454	586	829	1440
	5B NF1500 .080	1 1/2"	24.6	242	286	342	483	592	764	1080	1870
	5B NF2250 .080	2"	30.2	362	429	513	725	890	1150	1620	2810
90°	5B NF01 .090	1/8"-1/4"	0.66	0.16	0.19	0.23	0.32	0.39	0.51	0.72	1.25
	5B NF015 .090	1/8"-1/4"	0.79	0.24	0.29	0.34	0.48	0.59	0.76	1.08	1.87
	5B NF02 .090	1/8"-1/4"	0.91	0.32	0.38	0.46	0.64	0.79	1.02	1.44	2.49
	5B NF025 .090	1/8"-1/4"	1.02	0.4	0.48	0.57	0.81	0.99	1.27	1.8	3.12
	5B NF03 .090	1/8"-1/4"	1.09	0.48	0.57	0.68	0.97	1.18	1.53	2.16	3.74
	5B NF04 .090	1/8"-1/4"	1.32	0.64	0.76	0.91	1.29	1.58	2.04	2.88	4.99
	5B NF05 .090	1/8"-1/4"	1.45	0.81	0.95	1.14	1.61	1.97	2.55	3.6	6.24
	5B NF06 .090	1/8"-1/4"	1.57	0.97	1.14	1.37	1.93	2.37	3.06	4.33	7.49
	5B NF08 .090	1/8"-1/4"	1.83	1.28	1.52	1.82	2.57	3.15	4.06	5.74	9.95
	5B NF10 .090	1/8"-1/4"-3/8"	2.03	1.61	1.91	2.28	3.22	3.95	5.1	7.21	12.5
	5B NF15 .090	1/8"-1/4"-3/8"	2.38	2.42	2.86	3.42	4.83	5.92	7.64	10.8	18.7
	5B NF20 .090	1/8"-1/4"-3/8"	2.78	3.22	3.81	4.56	6.45	7.89	10.2	14.4	25
	5B NF30 .090	1/8"-1/4"-3/8"	3.57	4.83	5.72	6.84	9.67	11.8	15.3	21.6	37.4
	5B NF40 .090	1/8"-1/4"-3/8"	3.97	6.45	7.63	9.12	12.9	15.8	20.4	28.8	49.9
	5B NF50 .090	1/4"-3/8"	4.37	8.06	9.53	11.4	16.1	19.7	25.5	36	62.4
	5B NF60 .090	1/4"-3/8"-1/2"	4.76	9.67	11.4	13.7	19.3	23.7	30.6	43.2	74.9
	5B NF70 .090	1/4"-3/8"-1/2"	5.16	11.3	13.3	16	22.6	27.6	35.7	50.4	87.4
	5B NF80 .090	3/8"-1/2"	5.56	12.9	15.3	18.2	25.8	31.6	40.8	57.7	99.9
	5B NF90 .090	3/8"-1/2"	5.95	14.5	17.2	20.5	29	35.5	45.9	64.9	112
	5B NF100 .090	3/8"-1/2"	6.35	16.1	19.1	22.8	32.2	39.5	51	72.1	125
	5B NF120 .090	3/8"-1/2"	6.75	19.3	22.9	27.3	38.7	47.4	61.1	86.5	150
	5B NF150 .090	1/2"	7.54	24.2	28.6	34.2	48.3	59.2	76.4	108	187
	5B NF200 .090	1/2"	8.73	32.2	38.1	45.6	64.5	78.9	102	144	250
	5B NF300 .090	3/4"	10.7	48.3	57.2	68.4	96.7	118	153	216	374
	5B NF400 .090	3/4"-1"	12.7	64.5	76.3	91.2	129	158	204	288	499
	5B NF750 .090	1"	17.5	121	143	171	242	296	382	540	936
	5B NF800 .090	1 1/4"	18.3	129	153	182	258	316	408	577	999
	5B NF1150 .090	1 1/4"	21.8	185	219	262	371	454	586	829	1440
5B NF1500 .090	1 1/2"	24.6	242	286	342	483	592	764	1080	1870	
5B NF2250 .090	2"	30.2	362	429	513	725	890	1150	1620	2810	
110°	5B NF01 .110	1/8"-1/4"	0.66	0.16	0.19	0.23	0.32	0.39	0.51	0.72	1.25
	5B NF015 .110	1/8"-1/4"	0.79	0.24	0.29	0.34	0.48	0.59	0.76	1.08	1.87
	5B NF02 .110	1/8"-1/4"	0.91	0.32	0.38	0.46	0.64	0.79	1.02	1.44	2.49
	5B NF025 .110	1/8"-1/4"	1.02	0.4	0.48	0.57	0.81	0.99	1.27	1.8	3.12
	5B NF03 .110	1/8"-1/4"	1.09	0.48	0.57	0.68	0.97	1.18	1.53	2.16	3.74
	5B NF04 .110	1/8"-1/4"	1.32	0.64	0.76	0.91	1.29	1.58	2.04	2.88	4.99
	5B NF05 .110	1/8"-1/4"	1.45	0.81	0.95	1.14	1.61	1.97	2.55	3.6	6.24
	5B NF06 .110	1/8"-1/4"	1.57	0.97	1.14	1.37	1.93	2.37	3.06	4.33	7.49
	5B NF08 .110	1/8"-1/4"	1.83	1.28	1.52	1.82	2.57	3.15	4.06	5.74	9.95
	5B NF10 .110	1/8"-1/4"-3/8"	2.03	1.61	1.91	2.28	3.22	3.95	5.1	7.21	12.5
	5B NF15 .110	1/8"-1/4"-3/8"	2.38	2.42	2.86	3.42	4.83	5.92	7.64	10.8	18.7
	5B NF20 .110	1/8"-1/4"-3/8"	2.78	3.22	3.81	4.56	6.45	7.89	10.2	14.4	25
	5B NF30 .110	1/8"-1/4"-3/8"	3.57	4.83	5.72	6.84	9.67	11.8	15.3	21.6	37.4
	5B NF40 .110	1/8"-1/4"-3/8"	3.97	6.45	7.63	9.12	12.9	15.8	20.4	28.8	49.9



SPADFLOW 5B NF

Widespread Flat-Fan Nozzle

Webpage
+ STP



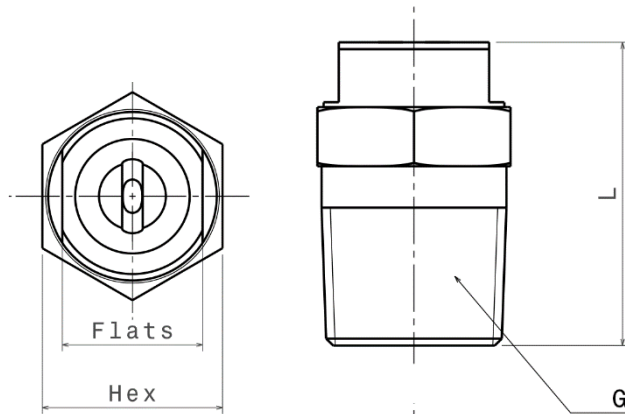
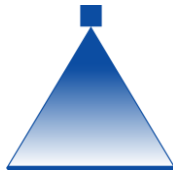
Spray angle (α)	Code	Connection [inch]	A Ø [mm]	Flow rate [l/min]							
				P [bar]							
				0.5	0.7	1.0 <i>K factor</i>	2.0	3.0	5.0	10	30
110°	5B NF50 . 110	1/4"-3/8"	4.37	8.06	9.53	11.4	16.1	19.7	25.5	36	62.4
	5B NF60 . 110	1/4"-3/8"-1/2"	4.76	9.67	11.4	13.7	19.3	23.7	30.6	43.2	74.9
	5B NF70 . 110	1/4"-3/8"-1/2"	5.16	11.3	13.3	16	22.6	27.6	35.7	50.4	87.4
	5B NF80 . 110	3/8"-1/2"	5.56	12.9	15.3	18.2	25.8	31.6	40.8	57.7	99.9
	5B NF90 . 110	3/8"-1/2"	5.95	14.5	17.2	20.5	29	35.5	45.9	64.9	112
	5B NF100 . 110	3/8"-1/2"	6.35	16.1	19.1	22.8	32.2	39.5	51	72.1	125
	5B NF120 . 110	3/8"-1/2"	6.75	19.3	22.9	27.3	38.7	47.4	61.1	86.5	150
	5B NF150 . 110	1/2"	7.54	24.2	28.6	34.2	48.3	59.2	76.4	108	187
	5B NF200 . 110	1/2"	8.73	32.2	38.1	45.6	64.5	78.9	102	144	250
	5B NF300 . 110	3/4"	10.7	48.3	57.2	68.4	96.7	118	153	216	374
	5B NF400 . 110	3/4"-1"	12.7	64.5	76.3	91.2	129	158	204	288	499
	5B NF750 . 110	1"	17.5	121	143	171	242	296	382	540	936
	5B NF800 . 110	1 1/4"	18.3	129	153	182	258	316	408	577	999
	5B NF1150 . 110	1 1/4"	21.8	185	219	262	371	454	586	829	1440
	5B NF1500 . 110	1 1/2"	24.6	242	286	342	483	592	764	1080	1870
5B NF2250 . 110	2"	30.2	362	429	513	725	890	1150	1620	2810	
120°	5B NF01 . 120	1/8"-1/4"	0.66	0.16	0.19	0.23	0.32	0.39	0.51	0.72	1.25
	5B NF015 . 120	1/8"-1/4"	0.79	0.24	0.29	0.34	0.48	0.59	0.76	1.08	1.87
	5B NF02 . 120	1/8"-1/4"	0.91	0.32	0.38	0.46	0.64	0.79	1.02	1.44	2.49
	5B NF025 . 120	1/8"-1/4"	1.02	0.4	0.48	0.57	0.81	0.99	1.27	1.8	3.12
	5B NF03 . 120	1/8"-1/4"	1.09	0.48	0.57	0.68	0.97	1.18	1.53	2.16	3.74
	5B NF04 . 120	1/8"-1/4"	1.32	0.64	0.76	0.91	1.29	1.58	2.04	2.88	4.99
	5B NF05 . 120	1/8"-1/4"	1.45	0.81	0.95	1.14	1.61	1.97	2.55	3.6	6.24
	5B NF06 . 120	1/8"-1/4"	1.57	0.97	1.14	1.37	1.93	2.37	3.06	4.33	7.49
	5B NF08 . 120	1/8"-1/4"	1.83	1.28	1.52	1.82	2.57	3.15	4.06	5.74	9.95
	5B NF10 . 120	1/8"-1/4"-3/8"	2.03	1.61	1.91	2.28	3.22	3.95	5.1	7.21	12.5
	5B NF15 . 120	1/8"-1/4"-3/8"	2.38	2.42	2.86	3.42	4.83	5.92	7.64	10.8	18.7
	5B NF20 . 120	1/8"-1/4"-3/8"	2.78	3.22	3.81	4.56	6.45	7.89	10.2	14.4	25
	5B NF30 . 120	1/8"-1/4"-3/8"	3.57	4.83	5.72	6.84	9.67	11.8	15.3	21.6	37.4
	5B NF40 . 120	1/8"-1/4"-3/8"	3.97	6.45	7.63	9.12	12.9	15.8	20.4	28.8	49.9
	5B NF50 . 120	1/4"-3/8"	4.37	8.06	9.53	11.4	16.1	19.7	25.5	36	62.4
	5B NF60 . 120	1/4"-3/8"-1/2"	4.76	9.67	11.4	13.7	19.3	23.7	30.6	43.2	74.9
	5B NF70 . 120	1/4"-3/8"-1/2"	5.16	11.3	13.3	16	22.6	27.6	35.7	50.4	87.4
	5B NF80 . 120	3/8"-1/2"	5.56	12.9	15.3	18.2	25.8	31.6	40.8	57.7	99.9
	5B NF90 . 120	3/8"-1/2"	5.95	14.5	17.2	20.5	29	35.5	45.9	64.9	112
	5B NF100 . 120	3/8"-1/2"	6.35	16.1	19.1	22.8	32.2	39.5	51	72.1	125
	5B NF120 . 120	3/8"-1/2"	6.75	19.3	22.9	27.3	38.7	47.4	61.1	86.5	150
	5B NF150 . 120	3/4"	7.54	24.2	28.6	34.2	48.3	59.2	76.4	108	187
	5B NF200 . 120	3/4"	8.73	32.2	38.1	45.6	64.5	78.9	102	144	250
	5B NF300 . 120	3/4"	10.7	48.3	57.2	68.4	96.7	118	153	216	374
	5B NF400 . 120	3/4"-1"	12.7	64.5	76.3	91.2	129	158	204	288	499
	5B NF750 . 120	1"	17.5	121	143	171	242	296	382	540	936
	5B NF800 . 120	1 1/4"	18.3	129	153	182	258	316	408	577	999
	5B NF1150 . 120	1 1/4"	21.8	185	219	262	371	454	586	829	1440
5B NF1500 . 120	1 1/2"	24.6	242	286	342	483	592	764	1080	1870	
5B NF2250 . 120	2"	30.2	362	429	513	725	890	1150	1620	2810	



SPADFLOW 5L 602

High Pressure Flat-Fan Nozzle

Webpage
+ STP



G1	Thread Type			Dimensions [mm]					Weight
	BSPT	BSPP	NPT	L ₁	L ₂	D	Hex	Flats	
1/4"	014T	014P	014N	22.0	10.0	13.0	14	10	18 gr

Material*	Code
Brass	1
S.S.304	2
S.S.316	3

* Different materials are available upon request

Properties:

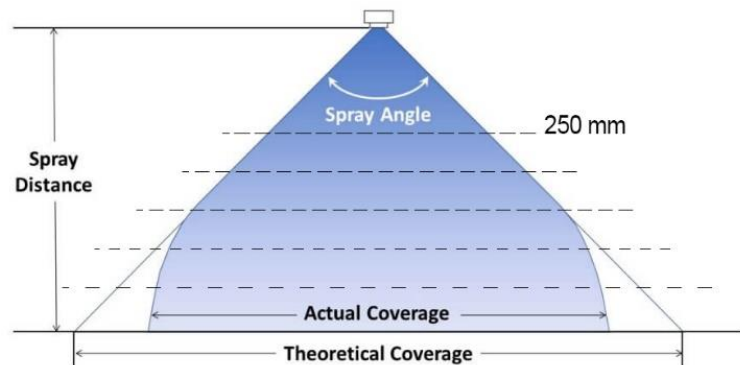
Two – Piece Construction

Internal Part

Sharp, Uniform Flat Fan Spray

Extremely Narrow Spray Depth

α	Spray coverage
	@ 250 mm
20°	85 mm
30°	125 mm
40°	150 mm
45°	170 mm
60°	290 mm
80°	500 mm



Spray angle (α)	Code	Connection** [inch]	General code	A Ø [mm]	Flow rate [l/min]						
					P [bar]						
					40	60	80	100	120	150	200
20°	5L 602 36 . 020	1/4"	2002	1	2.88	3.53	4.08	4.56	5	5.58	6.45
	5L 602 37 . 020	1/4"	20021	1.02	3.03	3.71	4.28	4.79	5.25	5.87	6.77
	5L 602 38 . 020	1/4"	20025	1.1	3.6	4.42	5.1	5.7	6.24	6.98	8.06
	5L 602 39 . 020	1/4"	20028	1.16	4.04	4.94	5.71	6.38	6.99	7.81	9.02
	5L 602 40 . 020	1/4"	2003	1.18	4.32	5.29	6.11	6.83	7.48	8.37	9.66
	5L 602 41 . 020	1/4"	20034	1.3	4.9	6	6.93	7.75	8.49	9.49	10.96
	5L 602 44 . 020	1/4"	20038	1.33	5.48	6.72	7.75	8.67	9.5	10.62	12.26
	5L 602 45 . 020	1/4"	2004	1.35	5.77	7.06	8.16	9.12	9.99	11.17	12.9
	5L 602 46 . 020	1/4"	20043	1.38	6.2	7.59	8.77	9.8	10.74	12	13.86
	5L 602 47 . 020	1/4"	20045	1.4	6.49	7.95	9.18	10.26	11.24	12.57	14.51
	5L 602 48 . 020	1/4"	2005	1.55	7.21	8.83	10.2	11.4	12.49	13.96	16.12
	5L 602 50 . 020	1/4"	20055	1.6	7.93	9.71	11.22	12.54	13.74	15.36	17.73
	5L 602 52 . 020	1/4"	2006	1.72	8.65	10.6	12.24	13.68	14.99	16.75	19.35
	5L 602 53 . 020	1/4"	20065	1.75	9.37	11.48	13.26	14.82	16.23	18.15	20.96
5L 602 54 . 020	1/4"	2007	1.8	10.09	12.36	14.28	15.96	17.48	19.55	22.57	



SPADFLOW 5L 602

High Pressure Flat-Fan Nozzle

Webpage
+ STP



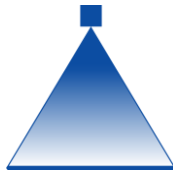
Spray angle (α)	Code	Connection** [inch]	General code	A Ø [mm]	Flow rate [l/min]						
					P [bar]						
					40	60	80	100	120	150	200
20°	5L 602 55 . 020	1/4"	20075	1.9	10.81	13.25	15.29	17.1	18.73	20.94	24.18
	5L 602 57 . 020	1/4"	2008	2.05	11.54	14.13	16.31	18.24	19.98	22.34	25.8
	5L 602 58 . 020	1/4"	20087	2.06	12.54	15.36	17.74	19.83	21.72	24.29	28.04
	5L 602 59 . 020	1/4"	2009	2.1	12.98	15.89	18.35	20.52	22.48	25.13	29.02
	5L 602 60 . 020	1/4"	2010	2.3	14.41	17.65	20.38	22.79	24.97	27.91	32.23
	5L 602 62 . 020	1/4"	2011	2.4	15.86	19.42	22.42	25.07	27.46	30.7	35.45
	5L 602 64 . 020	1/4"	20125	2.5	18.02	22.07	25.48	28.49	31.21	34.89	40.29
	5L 602 65 . 020	1/4"	20131	2.55	18.89	23.13	26.71	29.86	32.71	36.57	42.23
	5L 602 66 . 020	1/4"	20139	2.65	20.04	24.54	28.34	31.68	34.7	38.8	44.8
	5L 602 67 . 020	1/4"	2015	2.7	21.62	26.48	30.58	34.19	37.45	41.87	48.35
5L 602 70 . 020	1/4"	20175	3	25.23	30.9	35.68	39.89	43.7	48.86	56.41	
30°	5L 602 36 . 030	1/4"	3002	1	2.88	3.53	4.08	4.56	5	5.58	6.45
	5L 602 37 . 030	1/4"	30021	1.02	3.03	3.71	4.28	4.79	5.25	5.87	6.77
	5L 602 38 . 030	1/4"	30025	1.1	3.6	4.42	5.1	5.7	6.24	6.98	8.06
	5L 602 39 . 030	1/4"	30028	1.16	4.04	4.94	5.71	6.38	6.99	7.81	9.02
	5L 602 40 . 030	1/4"	3003	1.18	4.32	5.29	6.11	6.83	7.48	8.37	9.66
	5L 602 41 . 030	1/4"	30034	1.3	4.9	6	6.93	7.75	8.49	9.49	10.96
	5L 602 44 . 030	1/4"	30038	1.33	5.48	6.72	7.75	8.67	9.5	10.62	12.26
	5L 602 45 . 030	1/4"	3004	1.35	5.77	7.06	8.16	9.12	9.99	11.17	12.9
	5L 602 46 . 030	1/4"	30043	1.38	6.2	7.59	8.77	9.8	10.74	12	13.86
	5L 602 47 . 030	1/4"	30045	1.4	6.49	7.95	9.18	10.26	11.24	12.57	14.51
	5L 602 48 . 030	1/4"	3005	1.55	7.21	8.83	10.2	11.4	12.49	13.96	16.12
	5L 602 50 . 030	1/4"	30055	1.6	7.93	9.71	11.22	12.54	13.74	15.36	17.73
	5L 602 52 . 030	1/4"	3006	1.72	8.65	10.6	12.24	13.68	14.99	16.75	19.35
	5L 602 53 . 030	1/4"	30065	1.75	9.37	11.48	13.26	14.82	16.23	18.15	20.96
	5L 602 54 . 030	1/4"	3007	1.8	10.09	12.36	14.28	15.96	17.48	19.55	22.57
	5L 602 55 . 030	1/4"	30075	1.9	10.81	13.25	15.29	17.1	18.73	20.94	24.18
	5L 602 57 . 030	1/4"	3008	2.05	11.54	14.13	16.31	18.24	19.98	22.34	25.8
	5L 602 58 . 030	1/4"	30087	2.06	12.54	15.36	17.74	19.83	21.72	24.29	28.04
	5L 602 59 . 030	1/4"	3009	2.1	12.98	15.89	18.35	20.52	22.48	25.13	29.02
	5L 602 60 . 030	1/4"	3010	2.3	14.41	17.65	20.38	22.79	24.97	27.91	32.23
5L 602 62 . 030	1/4"	3011	2.4	15.86	19.42	22.42	25.07	27.46	30.7	35.45	
5L 602 64 . 030	1/4"	30125	2.5	18.02	22.07	25.48	28.49	31.21	34.89	40.29	
5L 602 65 . 030	1/4"	30131	2.55	18.89	23.13	26.71	29.86	32.71	36.57	42.23	
5L 602 66 . 030	1/4"	30139	2.65	20.04	24.54	28.34	31.68	34.7	38.8	44.8	
5L 602 67 . 030	1/4"	3015	2.7	21.62	26.48	30.58	34.19	37.45	41.87	48.35	
5L 602 70 . 030	1/4"	30175	3	25.23	30.9	35.68	39.89	43.7	48.86	56.41	
40°	5L 602 36 . 040	1/4"	4002	1	2.88	3.53	4.08	4.56	5	5.58	6.45
	5L 602 37 . 040	1/4"	40021	1.02	3.03	3.71	4.28	4.79	5.25	5.87	6.77
	5L 602 38 . 040	1/4"	40025	1.1	3.6	4.42	5.1	5.7	6.24	6.98	8.06
	5L 602 39 . 040	1/4"	40028	1.16	4.04	4.94	5.71	6.38	6.99	7.81	9.02
	5L 602 40 . 040	1/4"	4003	1.18	4.32	5.29	6.11	6.83	7.48	8.37	9.66
	5L 602 41 . 040	1/4"	40034	1.3	4.9	6	6.93	7.75	8.49	9.49	10.96
	5L 602 44 . 040	1/4"	40038	1.33	5.48	6.72	7.75	8.67	9.5	10.62	12.26
	5L 602 45 . 040	1/4"	4004	1.35	5.77	7.06	8.16	9.12	9.99	11.17	12.9
	5L 602 47 . 040	1/4"	40045	1.4	6.49	7.95	9.18	10.26	11.24	12.57	14.51
	5L 602 48 . 040	1/4"	4005	1.55	7.21	8.83	10.2	11.4	12.49	13.96	16.12
	5L 602 50 . 040	1/4"	40055	1.6	7.93	9.71	11.22	12.54	13.74	15.36	17.73
	5L 602 52 . 040	1/4"	4006	1.72	8.65	10.6	12.24	13.68	14.99	16.75	19.35
	5L 602 53 . 040	1/4"	40065	1.75	9.37	11.48	13.26	14.82	16.23	18.15	20.96
	5L 602 54 . 040	1/4"	4007	1.8	10.09	12.36	14.28	15.96	17.48	19.55	22.57
	5L 602 55 . 040	1/4"	40075	1.9	10.81	13.25	15.29	17.1	18.73	20.94	24.18
	5L 602 57 . 040	1/4"	4008	2.05	11.54	14.13	16.31	18.24	19.98	22.34	25.8
	5L 602 58 . 040	1/4"	40087	2.06	12.54	15.36	17.74	19.83	21.72	24.29	28.04
	5L 602 59 . 040	1/4"	4009	2.1	12.98	15.89	18.35	20.52	22.48	25.13	29.02
	5L 602 60 . 040	1/4"	4010	2.3	14.41	17.65	20.38	22.79	24.97	27.91	32.23
	5L 602 62 . 040	1/4"	4011	2.4	15.86	19.42	22.42	25.07	27.46	30.7	35.45
5L 602 64 . 040	1/4"	40125	2.5	18.02	22.07	25.48	28.49	31.21	34.89	40.29	
5L 602 65 . 040	1/4"	40131	2.55	18.89	23.13	26.71	29.86	32.71	36.57	42.23	
5L 602 66 . 040	1/4"	40139	2.65	20.04	24.54	28.34	31.68	34.7	38.8	44.8	



SPADFLOW 5L 602

High Pressure Flat-Fan Nozzle

Webpage
+ STP



Spray angle (α)	Code	Connection** [inch]	General code	A Ø [mm]	Flow rate [l/min]						
					P [bar]						
					40	60	80	100	120	150	200
40°	5L 602 67 . 040	1/4"	4015	2.7	21.62	26.48	30.58	34.19	37.40	41.87	48.35
	5L 602 70 . 040	1/4"	40175	3	25.23	30.9	35.68	39.89	43.7	48.86	56.41
	5L 602 72 . 040	1/4"	4020	3.05	28.83	35.31	40.78	40.59	49.94	55.84	64.47
	5L 602 76 . 040	1/4"	4025	3.5	36.04	44.14	50.97	56.99	62.43	69.8	80.6
	5L 602 79 . 040	1/4"	4030	3.9	43.25	52.97	61.16	68.38	74.91	83.75	96.7
45°	5L 602 36 . 045	1/4"	4502	1	2.88	3.53	4.08	4.56	5	5.58	6.45
	5L 602 37 . 045	1/4"	45021	1.02	3.03	3.71	4.28	4.79	5.25	5.87	6.77
	5L 602 38 . 045	1/4"	45025	1.1	3.6	4.42	5.1	5.7	6.24	6.98	8.06
	5L 602 39 . 045	1/4"	45028	1.16	4.04	4.94	5.71	6.38	6.99	7.81	9.02
	5L 602 40 . 045	1/4"	4503	1.18	4.32	5.29	6.11	6.83	7.48	8.37	9.66
	5L 602 41 . 045	1/4"	45034	1.3	4.9	6	6.93	7.75	8.49	9.49	10.96
	5L 602 44 . 045	1/4"	45038	1.33	5.48	6.72	7.75	8.67	9.5	10.62	12.26
	5L 602 45 . 045	1/4"	4504	1.35	5.77	7.06	8.16	9.12	9.99	11.17	12.9
	5L 602 47 . 045	1/4"	45045	1.4	6.49	7.95	9.18	10.26	11.24	12.57	14.51
	5L 602 48 . 045	1/4"	4505	1.55	7.21	8.83	10.2	11.4	12.49	13.96	16.12
	5L 602 50 . 045	1/4"	45055	1.6	7.93	9.71	11.22	12.54	13.74	15.36	17.73
	5L 602 52 . 045	1/4"	4506	1.72	8.65	10.6	12.24	13.68	14.99	16.75	19.35
	5L 602 53 . 045	1/4"	45065	1.75	9.37	11.48	13.26	14.82	16.23	18.15	20.96
	5L 602 54 . 045	1/4"	4507	1.8	10.09	12.36	14.28	15.96	17.48	19.55	22.57
	5L 602 55 . 045	1/4"	45075	1.9	10.81	13.25	15.29	17.1	18.73	20.94	24.18
	5L 602 57 . 045	1/4"	4508	2.05	11.54	14.13	16.31	18.24	19.98	22.34	25.8
	5L 602 58 . 045	1/4"	45087	2.06	12.54	15.36	17.74	19.83	21.72	24.29	28.04
	5L 602 59 . 045	1/4"	4509	2.1	12.98	15.89	18.35	20.52	22.48	25.13	29.02
	5L 602 60 . 045	1/4"	4510	2.3	14.41	17.65	20.38	22.79	24.97	27.91	32.23
	5L 602 62 . 045	1/4"	4511	2.4	15.86	19.42	22.42	25.07	27.46	30.7	35.45
	5L 602 64 . 045	1/4"	45125	2.5	18.02	22.07	25.48	28.49	31.21	34.89	40.29
	5L 602 65 . 045	1/4"	45131	2.55	18.89	23.13	26.71	29.86	32.71	36.57	42.23
	5L 602 66 . 045	1/4"	45139	2.65	20.04	24.54	28.34	31.68	34.7	38.8	44.8
	5L 602 67 . 045	1/4"	4515	2.7	21.62	26.48	30.58	34.19	37.45	41.87	48.35
	5L 602 70 . 045	1/4"	45175	3	25.23	30.9	35.68	39.89	43.7	48.86	56.41
5L 602 72 . 045	1/4"	4520	3.05	28.83	35.31	40.78	45.59	49.94	55.84	64.47	
5L 602 76 . 045	1/4"	4525	3.5	36.04	44.14	50.97	56.99	62.43	69.8	80.6	
5L 602 79 . 045	1/4"	4530	3.9	43.25	52.97	61.16	68.38	74.91	83.75	96.7	
60°	5L 602 36 . 060	1/4"	6002	1	2.88	3.53	4.08	4.56	5	5.58	6.45
	5L 602 37 . 060	1/4"	60021	1.02	3.03	3.71	4.28	4.79	5.25	5.87	6.77
	5L 602 38 . 060	1/4"	60025	1.1	3.6	4.42	5.1	5.7	6.24	6.98	8.06
	5L 602 39 . 060	1/4"	60028	1.16	4.04	4.94	5.71	6.38	6.99	7.81	9.02
	5L 602 40 . 060	1/4"	6003	1.18	4.32	5.29	6.11	6.83	7.48	8.37	9.66
	5L 602 41 . 060	1/4"	60034	1.3	4.9	6	6.93	7.75	8.49	9.49	10.96
	5L 602 45 . 060	1/4"	6004	1.35	5.77	7.06	8.16	9.12	9.99	11.17	12.9
	5L 602 47 . 060	1/4"	60045	1.4	6.49	7.95	9.18	10.26	11.24	12.57	14.51
	5L 602 48 . 060	1/4"	6005	1.55	7.21	8.83	10.2	11.4	12.49	13.96	16.12
	5L 602 50 . 060	1/4"	60055	1.6	7.93	9.71	11.22	12.54	13.74	15.36	17.73
	5L 602 52 . 060	1/4"	6006	1.72	8.65	10.6	12.24	13.68	14.99	16.75	19.35
	5L 602 53 . 060	1/4"	60065	1.75	9.37	11.48	13.26	14.82	16.23	18.15	20.96
	5L 602 54 . 060	1/4"	6007	1.8	10.09	12.36	14.28	15.96	17.48	19.55	22.57
	5L 602 55 . 060	1/4"	60075	1.9	10.81	13.25	15.29	17.1	18.73	20.94	24.18
	5L 602 57 . 060	1/4"	6008	2.05	11.54	14.13	16.31	18.24	19.98	22.34	25.8
	5L 602 58 . 060	1/4"	60087	2.06	12.54	15.36	17.74	19.83	21.72	24.29	28.04
	5L 602 59 . 060	1/4"	6009	2.1	12.98	15.89	18.35	20.52	22.48	25.13	29.02
	5L 602 60 . 060	1/4"	6010	2.3	14.41	17.65	20.38	22.79	24.97	27.91	32.23
	5L 602 62 . 060	1/4"	6011	2.4	15.86	19.42	22.42	25.07	27.46	30.7	35.45
	5L 602 64 . 060	1/4"	60125	2.5	18.02	22.07	25.48	28.49	31.21	34.89	40.29
	5L 602 65 . 060	1/4"	60131	2.55	18.89	23.13	26.71	29.86	32.71	36.57	42.23
	5L 602 66 . 060	1/4"	60139	2.65	20.04	24.54	28.34	31.68	34.7	38.8	44.8
	5L 602 67 . 060	1/4"	6015	2.7	21.62	26.48	30.58	34.19	37.45	41.87	48.35
	5L 602 70 . 060	1/4"	60175	3	25.23	30.9	35.68	39.89	43.7	48.86	56.41
	5L 602 72 . 060	1/4"	6020	3.05	28.83	35.31	40.78	45.59	49.94	55.84	64.47
5L 602 76 . 060	1/4"	6025	3.5	36.04	44.14	50.97	56.99	62.43	69.8	80.6	
80°	5L 602 36 . 080	1/4"	8002	1	2.88	3.53	4.08	4.56	5	5.58	6.45
	5L 602 37 . 080	1/4"	80021	1.02	3.03	3.71	4.28	4.79	5.25	5.87	6.77



SPADFLOW 5L 602

High Pressure Flat-Fan Nozzle

Webpage
+ STP



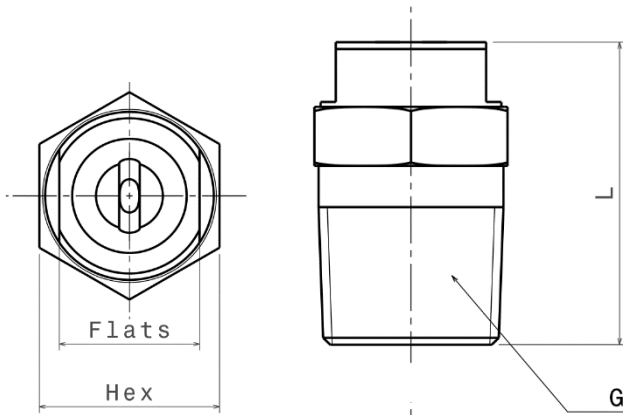
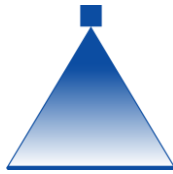
Spray angle (α)	Code	Connection** [inch]	General code	A Ø [mm]	Flow rate [l/min]						
					P [bar]						
					40	60	80	100	120	150	200
80°	5L 602 38 .080	1/4"	80025	1.1	3.6	4.42	5.1	5.7	6.24	6.98	8.06
	5L 602 39 .080	1/4"	80028	1.16	4.04	4.94	5.71	6.38	6.99	7.81	9.02
	5L 602 40 .080	1/4"	8003	1.18	4.32	5.29	6.11	6.83	7.48	8.37	9.66
	5L 602 41 .080	1/4"	80034	1.3	4.9	6	6.93	7.75	8.49	9.49	10.96
	5L 602 45 .080	1/4"	8004	1.35	5.77	7.06	8.16	9.12	9.99	11.17	12.9
	5L 602 47 .080	1/4"	80045	1.4	6.49	7.95	9.18	10.26	11.24	12.57	14.51
	5L 602 48 .080	1/4"	8005	1.55	7.21	8.83	10.2	11.4	12.49	13.96	16.12
	5L 602 50 .080	1/4"	80055	1.6	7.93	9.71	11.22	12.54	13.74	15.36	17.73
	5L 602 52 .080	1/4"	8006	1.72	8.65	10.6	12.24	13.68	14.99	16.75	19.35
	5L 602 53 .080	1/4"	80065	1.75	9.37	11.48	13.26	14.82	16.23	18.15	20.96
	5L 602 54 .080	1/4"	8007	1.8	10.09	12.36	14.28	15.96	17.48	19.55	22.57
	5L 602 55 .080	1/4"	80075	1.9	10.81	13.25	15.29	17.1	18.73	20.94	24.18
	5L 602 57 .080	1/4"	8008	2.05	11.54	14.13	16.31	18.24	19.98	22.34	25.8
	5L 602 58 .080	1/4"	80087	2.06	12.54	15.36	17.74	19.83	21.72	24.29	28.04
	5L 602 59 .080	1/4"	8009	2.1	12.98	15.89	18.35	20.52	22.48	25.13	29.02
	5L 602 60 .080	1/4"	8010	2.3	14.41	17.65	20.38	22.79	24.97	27.91	32.23
	5L 602 62 .080	1/4"	8011	2.4	15.86	19.42	22.42	25.07	27.46	30.7	35.45
	5L 602 64 .080	1/4"	80125	2.5	18.02	22.07	25.48	28.49	31.21	34.89	40.29
	5L 602 65 .080	1/4"	80131	2.55	18.89	23.13	26.71	29.86	32.71	36.57	42.23
	5L 602 66 .080	1/4"	80139	2.65	20.04	24.54	28.34	31.68	34.7	38.8	44.8
5L 602 67 .080	1/4"	8015	2.7	21.62	26.48	30.58	34.19	37.45	41.87	48.35	
5L 602 70 .080	1/4"	80175	3	25.23	30.9	35.68	39.89	43.7	48.86	56.41	
5L 602 72 .080	1/4"	8020	3.05	28.83	35.31	40.78	45.59	49.94	55.84	64.47	
5L 602 76 .080	1/4"	8025	3.5	36.04	44.14	50.97	56.99	62.43	69.8	80.6	



SPADFLOW 5L 608

High Pressure Flat-Fan Nozzle

Webpage
+ STP



G1	Thread Type			Dimensions [mm]					Weight
	BSPT	BSPP	NPT	L1	L2	D	Hex	Flats	
1/8"	018T	018P	018N	22.0	10.0	13.0	14	10	18 gr

Material*	Code
Brass	1
S.S.304	2
S.S.316	3

* Different materials are available upon request

Properties:

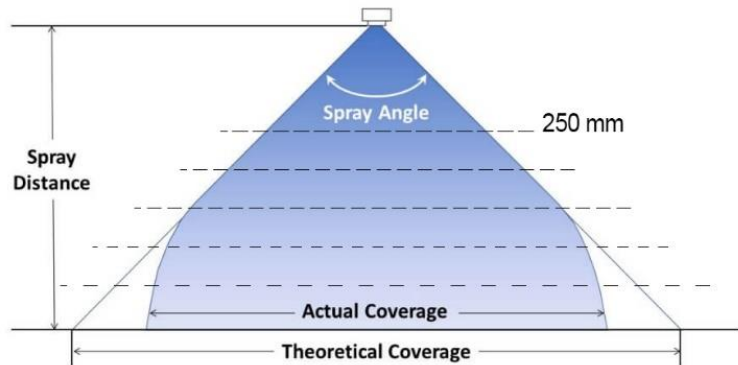
Two – Piece Construction

Internal Part

Sharp, Uniform Flat Fan Spray

Extremely Narrow Spray Depth

α	Spray coverage @ 250 mm
20°	85 mm
30°	125 mm
40°	150 mm
45°	170 mm
60°	290 mm
80°	400 mm



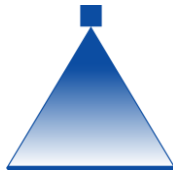
Spray angle (α)	Code	General code	Connection** [inch]	A \varnothing [mm]	Flow rate [l/min]						
					P [bar]						
					40	60	80	100	120	150	200
20°	5L 608 36 . 020	2002	1/8"	1	2.88	3.53	4.08	4.56	5	5.58	6.45
	5L 608 37 . 020	20021	1/8"	1.02	3.03	3.71	4.28	4.79	5.25	5.87	6.77
	5L 608 38 . 020	20025	1/8"	1.1	3.6	4.42	5.1	5.7	6.24	6.98	8.06
	5L 608 39 . 020	20028	1/8"	1.16	4.04	4.94	5.71	6.38	6.99	7.81	9.02
	5L 608 40 . 020	2003	1/8"	1.18	4.32	5.29	6.11	6.83	7.48	8.37	9.66
	5L 608 41 . 020	20034	1/8"	1.3	4.9	6	6.93	7.75	8.49	9.49	10.96
	5L 608 44 . 020	20038	1/8"	1.33	5.48	6.72	7.75	8.67	9.5	10.62	12.26
	5L 608 45 . 020	2004	1/8"	1.35	5.77	7.06	8.16	9.12	9.99	11.17	12.9
	5L 608 46 . 020	20043	1/8"	1.38	6.2	7.59	8.77	9.8	10.74	12	13.86
	5L 608 47 . 020	20045	1/8"	1.4	6.49	7.95	9.18	10.26	11.24	12.57	14.51
	5L 608 48 . 020	2005	1/8"	1.55	7.21	8.83	10.2	11.4	12.49	13.96	16.12
	5L 608 50 . 020	20055	1/8"	1.6	7.93	9.71	11.22	12.54	13.74	15.36	17.73
	5L 608 52 . 020	2006	1/8"	1.72	8.65	10.6	12.24	13.68	14.99	16.75	19.35



SPADFLOW 5L 608

High Pressure Flat-Fan Nozzle

Webpage
+ STP



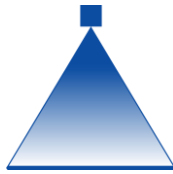
Spray angle (α)	Code	General code	Connection** [inch]	A Ø [mm]	Flow rate [l/min]						
					P [bar]						
					40	60	80	100	120	150	200
20°	5L 608 53 . 020	20065	1/8"	1.75	9.37	11.48	13.26	14.82	16.23	18.15	20.96
	5L 608 54 . 020	2007	1/8"	1.8	10.09	12.36	14.28	15.96	17.48	19.55	22.57
	5L 608 55 . 020	20075	1/8"	1.9	10.81	13.25	15.29	17.1	18.73	20.94	24.18
	5L 608 57 . 020	2008	1/8"	2.05	11.54	14.13	16.31	18.24	19.98	22.34	25.8
	5L 608 58 . 020	20087	1/8"	2.06	12.54	15.36	17.74	19.83	21.72	24.29	28.04
	5L 608 59 . 020	2009	1/8"	2.1	12.98	15.89	18.35	20.52	22.48	25.13	29.02
30°	5L 608 60 . 020	2010	1/8"	2.3	14.41	17.65	20.38	22.79	24.97	27.91	32.23
	5L 608 36 . 030	3002	1/8"	1	2.88	3.53	4.08	4.56	5	5.58	6.45
	5L 608 37 . 030	30021	1/8"	1.02	3.03	3.71	4.28	4.79	5.25	5.87	6.77
	5L 608 38 . 030	30025	1/8"	1.1	3.6	4.42	5.1	5.7	6.24	6.98	8.06
	5L 608 39 . 030	30028	1/8"	1.16	4.04	4.94	5.71	6.38	6.99	7.81	9.02
	5L 608 40 . 030	3003	1/8"	1.18	4.32	5.29	6.11	6.83	7.48	8.37	9.66
	5L 608 41 . 030	30034	1/8"	1.3	4.9	6	6.93	7.75	8.49	9.49	10.96
	5L 608 44 . 030	30038	1/8"	1.33	5.48	6.72	7.75	8.67	9.5	10.62	12.26
	5L 608 45 . 030	3004	1/8"	1.35	5.77	7.06	8.16	9.12	9.99	11.17	12.9
	5L 608 46 . 030	30043	1/8"	1.38	6.2	7.59	8.77	9.8	10.74	12	13.86
	5L 608 47 . 030	30045	1/8"	1.4	6.49	7.95	9.18	10.26	11.24	12.57	14.51
	5L 608 48 . 030	3005	1/8"	1.55	7.21	8.83	10.2	11.4	12.49	13.96	16.12
	5L 608 50 . 030	30055	1/8"	1.6	7.93	9.71	11.22	12.54	13.74	15.36	17.73
	5L 608 52 . 030	3006	1/8"	1.72	8.65	10.6	12.24	13.68	14.99	16.75	19.35
	5L 608 53 . 030	30065	1/8"	1.75	9.37	11.48	13.26	14.82	16.23	18.15	20.96
	5L 608 54 . 030	3007	1/8"	1.8	10.09	12.36	14.28	15.96	17.48	19.55	22.57
	5L 608 55 . 030	30075	1/8"	1.9	10.81	13.25	15.29	17.1	18.73	20.94	24.18
	5L 608 57 . 030	3008	1/8"	2.05	11.54	14.13	16.31	18.24	19.98	22.34	25.8
5L 608 58 . 030	30087	1/8"	2.06	12.54	15.36	17.74	19.83	21.72	24.29	28.04	
5L 608 59 . 030	3009	1/8"	2.1	12.98	15.89	18.35	20.52	22.48	25.13	29.02	
5L 608 60 . 030	3010	1/8"	2.3	14.41	17.65	20.38	22.79	24.97	27.91	32.23	
40°	5L 608 36 . 040	40021	1/8"	1	2.88	3.53	4.08	4.56	5	5.58	6.45
	5L 608 37 . 040	40025	1/8"	1.02	3.03	3.71	4.28	4.79	5.25	5.87	6.77
	5L 608 38 . 040	40028	1/8"	1.1	3.6	4.42	5.1	5.7	6.24	6.98	8.06
	5L 608 39 . 040	4003	1/8"	1.16	4.04	4.94	5.71	6.38	6.99	7.81	9.02
	5L 608 40 . 040	40034	1/8"	1.18	4.32	5.29	6.11	6.83	7.48	8.37	9.66
	5L 608 41 . 040	40038	1/8"	1.3	4.9	6	6.93	7.75	8.49	9.49	10.96
	5L 608 44 . 040	4004	1/8"	1.33	5.48	6.72	7.75	8.67	9.5	10.62	12.26
	5L 608 45 . 040	40040	1/8"	1.35	5.77	7.06	8.16	9.12	9.99	11.17	12.9
	5L 608 47 . 040	4005	1/8"	1.4	6.49	7.95	9.18	10.26	11.24	12.57	14.51
	5L 608 48 . 040	40055	1/8"	1.55	7.21	8.83	10.2	11.4	12.49	13.96	16.12
	5L 608 50 . 040	4006	1/8"	1.6	7.93	9.71	11.22	12.54	13.74	15.36	17.73
	5L 608 52 . 040	40065	1/8"	1.72	8.65	10.6	12.24	13.68	14.99	16.75	19.35
	5L 608 53 . 040	4007	1/8"	1.75	9.37	11.48	13.26	14.82	16.23	18.15	20.96
	5L 608 54 . 040	40075	1/8"	1.8	10.09	12.36	14.28	15.96	17.48	19.55	22.57
	5L 608 55 . 040	4008	1/8"	1.9	10.81	13.25	15.29	17.1	18.73	20.94	24.18
	5L 608 57 . 040	40087	1/8"	2.05	11.54	14.13	16.31	18.24	19.98	22.34	25.8
	5L 608 58 . 040	4009	1/8"	2.06	12.54	15.36	17.74	19.83	21.72	24.29	28.04
	5L 608 59 . 040	4010	1/8"	2.1	12.98	15.89	18.35	20.52	22.48	25.13	29.02
5L 608 60 . 040	40021	1/8"	2.3	14.41	17.65	20.38	22.79	24.97	27.91	32.23	
45°	5L 608 36 . 045	4502	1/8"	1	2.88	3.53	4.08	4.56	5	5.58	6.45
	5L 608 37 . 045	45021	1/8"	1.02	3.03	3.71	4.28	4.79	5.25	5.87	6.77
	5L 608 38 . 045	45025	1/8"	1.1	3.6	4.42	5.1	5.7	6.24	6.98	8.06
	5L 608 39 . 045	45028	1/8"	1.16	4.04	4.94	5.71	6.38	6.99	7.81	9.02
	5L 608 40 . 045	4503	1/8"	1.18	4.32	5.29	6.11	6.83	7.48	8.37	9.66
	5L 608 41 . 045	45034	1/8"	1.3	4.9	6	6.93	7.75	8.49	9.49	10.96
	5L 608 44 . 045	45038	1/8"	1.33	5.48	6.72	7.75	8.67	9.5	10.62	12.26
	5L 608 45 . 045	4504	1/8"	1.35	5.77	7.06	8.16	9.12	9.99	11.17	12.9
	5L 608 47 . 045	45045	1/8"	1.4	6.49	7.95	9.18	10.26	11.24	12.57	14.51
	5L 608 48 . 045	4505	1/8"	1.55	7.21	8.83	10.2	11.4	12.49	13.96	16.12
	5L 608 50 . 045	45055	1/8"	1.6	7.93	9.71	11.22	12.54	13.74	15.36	17.73
	5L 608 52 . 045	4506	1/8"	1.72	8.65	10.6	12.24	13.68	14.99	16.75	19.35
	5L 608 53 . 045	45065	1/8"	1.75	9.37	11.48	13.26	14.82	16.23	18.15	20.96
	5L 608 54 . 045	4507	1/8"	1.8	10.09	12.36	14.28	15.96	17.48	19.55	22.57



SPADFLOW 5L 608

High Pressure Flat-Fan Nozzle

Webpage
+ STP



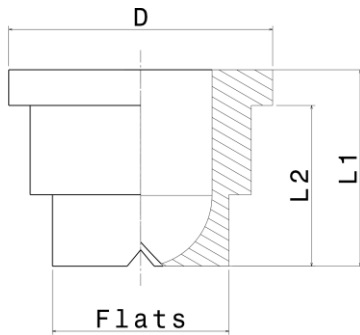
Spray angle (α)	Code	General code	Connection** [inch]	A Ø [mm]	Flow rate [l/min]						
					P [bar]						
					40	60	80	100	120	150	200
	5L 608 55 . 045	45075	1/8"	1.9	10.81	13.25	15.29	17.1	18.73	20.94	24.18
	5L 608 57 . 045	4508	1/8"	2.05	11.54	14.13	16.31	18.24	19.98	22.34	25.8
	5L 608 58 . 045	45087	1/8"	2.06	12.54	15.36	17.74	19.83	21.72	24.29	28.04
	5L 608 59 . 045	4509	1/8"	2.1	12.98	15.89	18.35	20.52	22.48	25.13	29.02
	5L 608 60 . 045	4510	1/8"	2.3	14.41	17.65	20.38	22.79	24.97	27.91	32.23
60°	5L 608 36 . 060	6002	1/8"	1	2.88	3.53	4.08	4.56	5	5.58	6.45
	5L 608 37 . 060	60021	1/8"	1.02	3.03	3.71	4.28	4.79	5.25	5.87	6.77
	5L 608 38 . 060	60025	1/8"	1.1	3.6	4.42	5.1	5.7	6.24	6.98	8.06
	5L 608 39 . 060	60028	1/8"	1.16	4.04	4.94	5.71	6.38	6.99	7.81	9.02
	5L 608 40 . 060	6003	1/8"	1.18	4.32	5.29	6.11	6.83	7.48	8.37	9.66
	5L 608 41 . 060	60034	1/8"	1.3	4.9	6	6.93	7.75	8.49	9.49	10.96
	5L 608 45 . 060	6004	1/8"	1.35	5.77	7.06	8.16	9.12	9.99	11.17	12.9
	5L 608 47 . 060	60045	1/8"	1.4	6.49	7.95	9.18	10.26	11.24	12.57	14.51
	5L 608 48 . 060	6005	1/8"	1.55	7.21	8.83	10.2	11.4	12.49	13.96	16.12
	5L 608 50 . 060	60055	1/8"	1.6	7.93	9.71	11.22	12.54	13.74	15.36	17.73
	5L 608 52 . 060	6006	1/8"	1.72	8.65	10.6	12.24	13.68	14.99	16.75	19.35
	5L 608 53 . 060	60065	1/8"	1.75	9.37	11.48	13.26	14.82	16.23	18.15	20.96
	5L 608 54 . 060	6007	1/8"	1.8	10.09	12.36	14.28	15.96	17.48	19.55	22.57
	5L 608 55 . 060	60075	1/8"	1.9	10.81	13.25	15.29	17.1	18.73	20.94	24.18
	5L 608 57 . 060	6008	1/8"	2.05	11.54	14.13	16.31	18.24	19.98	22.34	25.8
5L 608 58 . 060	60087	1/8"	2.06	12.54	15.36	17.74	19.83	21.72	24.29	28.04	
5L 608 59 . 060	6009	1/8"	2.1	12.98	15.89	18.35	20.52	22.48	25.13	29.02	
5L 608 60 . 060	6010	1/8"	2.3	14.41	17.65	20.38	22.79	24.97	27.91	32.23	
80°	5L 608 36 . 080	8002	1/8"	1	2.88	3.53	4.08	4.56	5	5.58	6.45
	5L 608 37 . 080	80021	1/8"	1.02	3.03	3.71	4.28	4.79	5.25	5.87	6.77
	5L 608 38 . 080	80025	1/8"	1.1	3.6	4.42	5.1	5.7	6.24	6.98	8.06
	5L 608 39 . 080	80028	1/8"	1.16	4.04	4.94	5.71	6.38	6.99	7.81	9.02
	5L 608 40 . 080	8003	1/8"	1.18	4.32	5.29	6.11	6.83	7.48	8.37	9.66
	5L 608 41 . 080	80034	1/8"	1.3	4.9	6	6.93	7.75	8.49	9.49	10.96
	5L 608 45 . 080	8004	1/8"	1.35	5.77	7.06	8.16	9.12	9.99	11.17	12.9
	5L 608 47 . 080	80045	1/8"	1.4	6.49	7.95	9.18	10.26	11.24	12.57	14.51
	5L 608 48 . 080	8005	1/8"	1.55	7.21	8.83	10.2	11.4	12.49	13.96	16.12
	5L 608 50 . 080	80055	1/8"	1.6	7.93	9.71	11.22	12.54	13.74	15.36	17.73
	5L 608 52 . 080	8006	1/8"	1.72	8.65	10.6	12.24	13.68	14.99	16.75	19.35
	5L 608 53 . 080	80065	1/8"	1.75	9.37	11.48	13.26	14.82	16.23	18.15	20.96
	5L 608 54 . 080	8007	1/8"	1.8	10.09	12.36	14.28	15.96	17.48	19.55	22.57
	5L 608 55 . 080	80075	1/8"	1.9	10.81	13.25	15.29	17.1	18.73	20.94	24.18
	5L 608 57 . 080	8008	1/8"	2.05	11.54	14.13	16.31	18.24	19.98	22.34	25.8
5L 608 58 . 080	80087	1/8"	2.06	12.54	15.36	17.74	19.83	21.72	24.29	28.04	
5L 608 59 . 080	8009	1/8"	2.1	12.98	15.89	18.35	20.52	22.48	25.13	29.02	
5L 608 60 . 080	8010	1/8"	2.3	14.41	17.65	20.38	22.79	24.97	27.91	32.23	



SPADFLOW 5L 652

Low Pressure Flat-Fan Nozzle

Webpage
+ STP



G1	Dimensions [mm]				Weight
	L1	L2	D	Flats	
Retaining Nut 3/8"	11.0	9.0	14.8	10.0	10 gr

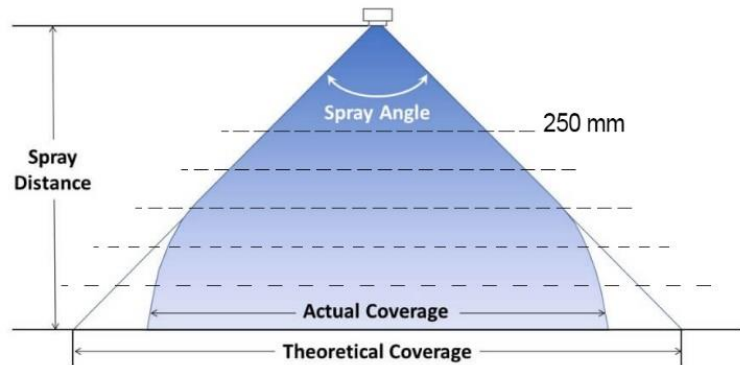
Material*	Code
Brass	1
S.S.304	2
S.S.316	3

* Different materials are available upon request

Properties:

- Uniform, Parabolic Liquid Distribution
- Stable Spray Angle
- Assembly with Retaining Nut

α	Spray coverage @ 250 mm
20°	85 mm
30°	120-140 mm
45°	170-220 mm
60°	260-290 mm
75°	380 mm
90°	420-540 mm
120°	630-900 mm



Spray angle (α)	Code	A \emptyset [mm]	E \emptyset [mm]	Flow rate [l/min]					
				P [bar]					
				0.5	1.0 <i>K factor</i>	2.0	3.0	5.0	10.0
20°	5L 652 30 . 020	0.70	0.60	0.16	0.23	0.32	0.39	0.51	0.72
	5L 652 36 . 020	1.00	0.80	0.31	0.44	0.63	0.77	1.00	1.40
	5L 652 44 . 020	1.35	1.10	0.62	0.88	1.25	1.53	1.98	2.80
	5L 652 48 . 020	1.50	1.20	0.80	1.13	1.60	1.96	2.53	3.58
30°	5L 652 30 . 030	0.60	0.50	0.16	0.23	0.32	0.40	0.51	0.72
	5L 652 36 . 030	1.00	0.70	0.32	0.45	0.63	0.77	1.00	1.41
	5L 652 40 . 030	1.20	0.90	0.50	0.71	1.00	1.22	1.58	2.23
	5L 652 48 . 030	1.50	1.10	0.80	1.13	1.60	1.96	2.53	3.58
	5L 652 56 . 030	2.00	1.50	1.25	1.77	2.50	3.06	3.95	5.59
	5L 652 64 . 030	2.50	1.80	2.00	2.83	4.00	4.90	6.33	8.95
	5L 652 72 . 030	3.00	2.40	3.15	4.45	6.30	7.71	9.96	14.09
	5L 652 76 . 030	3.50	2.70	4.00	5.66	8.00	9.80	12.65	17.89
5L 652 80 . 030	4.00	3.10	5.00	7.07	10.00	12.25	15.81	22.36	



SPADFLOW 5L 652

Low Pressure Flat-Fan Nozzle

Webpage
+ STP



Spray angle (α)	Code	A Ø [mm]	E Ø [mm]	Flow rate [l/min]					
				P [bar]					
				0.5	1.0 <i>K Factor</i>	2.0	3.0	5.0	10.0
45°	5L 652 30 . 045	0.70	0.50	0.16	0.23	0.32	0.40	0.51	0.72
	5L 652 36 . 045	1.00	0.60	0.32	0.45	0.63	0.77	1.00	1.41
	5L 652 40 . 045	1.20	0.90	0.50	0.71	1.00	1.22	1.58	2.23
	5L 652 48 . 045	1.50	1.10	0.80	1.13	1.60	1.96	2.53	3.58
	5L 652 56 . 045	2.00	1.40	1.25	1.77	2.50	3.06	3.95	5.59
	5L 652 64 . 045	2.50	1.80	2.00	2.83	4.00	4.90	6.33	8.95
	5L 652 72 . 045	3.00	2.40	3.15	4.45	6.30	7.71	9.96	14.09
	5L 652 76 . 045	3.50	2.60	4.00	5.66	8.00	9.80	12.65	17.89
5L 652 80 . 045	4.00	3.00	5.00	7.07	10.00	12.25	15.81	22.36	
60°	5L 652 30 . 060	0.70	0.40	0.16	0.23	0.32	0.40	0.51	0.72
	5L 652 33 . 060	0.90	0.50	0.22	0.32	0.45	0.55	0.71	1.00
	5L 652 36 . 060	1.00	0.60	0.32	0.45	0.63	0.77	1.00	1.41
	5L 652 40 . 060	1.20	0.80	0.50	0.71	1.00	1.22	1.58	2.23
	5L 652 44 . 060	1.35	0.90	0.63	0.89	1.25	1.53	1.98	2.80
	5L 652 48 . 060	1.50	1.00	0.80	1.13	1.60	1.96	2.53	3.58
	5L 652 51 . 060	1.65	1.10	0.95	1.34	1.90	2.32	3.00	4.24
	5L 652 56 . 060	2.00	1.30	1.25	1.77	2.50	3.06	3.95	5.59
	5L 652 60 . 060	2.20	1.50	1.57	2.23	3.15	3.86	4.98	7.04
	5L 652 64 . 060	2.50	1.60	2.00	2.83	4.00	4.90	6.33	8.95
	5L 652 67 . 060	2.70	1.80	2.37	3.36	4.75	5.82	7.51	10.62
	5L 652 72 . 060	3.00	2.10	3.15	4.45	6.30	7.71	9.96	14.09
	5L 652 76 . 060	3.50	2.30	4.00	5.66	8.00	9.80	12.65	17.89
	5L 652 80 . 060	4.00	2.60	5.00	7.07	10.00	12.25	15.81	22.36
	5L 652 84 . 060	4.50	3.00	6.25	8.84	12.50	15.31	19.76	27.94
5L 652 88 . 060	5.00	3.40	8.00	11.31	16.00	19.60	25.30	35.78	
75°	5L 652 14 . 075	0.20	0.12	–	0.04	0.05	0.06	0.08	0.11
	5L 652 16 . 075	0.20	0.14	–	0.05	0.07	0.08	0.10	0.14
	5L 652 18 . 075	0.20	0.16	–	0.06	0.08	0.10	0.13	0.18
	5L 652 21 . 075	0.40	0.20	–	0.08	0.11	0.14	0.18	0.25
	5L 652 24 . 075	0.50	0.30	–	0.12	0.16	0.20	0.26	0.37
	5L 652 27 . 075	0.60	0.30	0.11	0.16	0.22	0.27	0.35	0.49
90°	5L 652 21 . 090	0.40	0.20	0.06	0.08	0.11	0.14	0.18	0.25
	5L 652 24 . 090	0.50	0.30	0.08	0.12	0.16	0.20	0.26	0.37
	5L 652 27 . 090	0.60	0.30	0.11	0.16	0.22	0.27	0.35	0.49
	5L 652 30 . 090	0.70	0.40	0.16	0.23	0.32	0.40	0.51	0.72
	5L 652 33 . 090	0.90	0.50	0.22	0.32	0.45	0.55	0.71	1.00
	5L 652 36 . 090	1.00	0.50	0.32	0.45	0.63	0.77	1.00	1.41
	5L 652 40 . 090	1.20	0.70	0.50	0.71	1.00	1.22	1.58	2.23
	5L 652 44 . 090	1.35	0.80	0.63	0.89	1.25	1.53	1.98	2.80
	5L 652 48 . 090	1.50	0.80	0.80	1.13	1.60	1.96	2.53	3.58
	5L 652 51 . 090	1.65	0.90	0.95	1.34	1.90	2.32	3.00	4.24
	5L 652 56 . 090	2.00	1.10	1.25	1.77	2.50	3.06	3.95	5.59
	5L 652 60 . 090	2.20	1.20	1.57	2.23	3.15	3.86	4.98	7.04
	5L 652 64 . 090	2.50	1.30	2.00	2.83	4.00	4.90	6.33	8.95
	5L 652 67 . 090	2.70	1.40	2.37	3.36	4.75	5.82	7.51	10.62
	5L 652 72 . 090	3.00	1.70	3.15	4.45	6.30	7.71	9.96	14.09
	5L 652 76 . 090	3.50	1.90	4.00	5.66	8.00	9.80	12.65	17.89
	5L 652 80 . 090	4.00	2.40	5.00	7.07	10.00	12.25	15.81	22.36
5L 652 84 . 090	4.50	2.40	6.25	8.84	12.50	15.31	19.76	27.94	
5L 652 88 . 090	5.00	3.10	8.00	11.31	16.00	19.60	25.30	35.78	
120°	5L 652 18 . 120	0.35	0.20	–	0.06	0.08	0.10	0.13	0.18
	5L 652 21 . 120	0.40	0.20	–	0.08	0.11	0.14	0.18	0.25
	5L 652 24 . 120	0.50	0.20	–	0.12	0.16	0.20	0.26	0.37
	5L 652 27 . 120	0.60	0.30	–	0.16	0.22	0.27	0.35	0.49
	5L 652 30 . 120	0.70	0.30	0.16	0.23	0.32	0.40	0.51	0.72
	5L 652 33 . 120	0.90	0.40	0.22	0.32	0.45	0.55	0.71	1.00
	5L 652 36 . 120	1.00	0.50	0.32	0.45	0.63	0.77	1.00	1.41
	5L 652 40 . 120	1.20	0.60	0.50	0.71	1.00	1.22	1.58	2.23
	5L 652 44 . 120	1.35	0.60	0.63	0.89	1.25	1.53	1.98	2.80
	5L 652 48 . 120	1.50	0.60	0.80	1.13	1.60	1.96	2.53	3.58
5L 652 51 . 120	1.65	0.90	0.95	1.34	1.90	2.32	3.00	4.24	



SPADFLOW 5L 652

Low Pressure Flat-Fan Nozzle

Webpage
+ STP



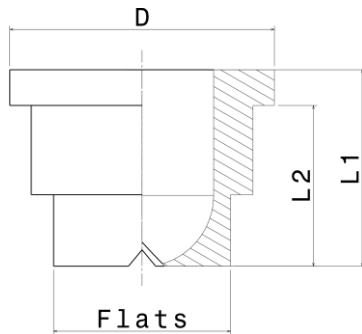
Spray angle (α)	Code	A ∅ [mm]	E ∅ [mm]	Flow rate [l/min]					
				P [bar]					
				0.5	1.0 <i>K Factor</i>	2.0	3.0	5.0	10.0
120°	5L 652 56 . 120	2.00	0.90	1.25	1.77	2.50	3.06	3.95	5.59
	5L 652 60 . 120	2.20	1.10	1.57	2.23	3.15	3.86	4.98	7.04
	5L 652 64 . 120	2.50	1.30	2.00	2.83	4.00	4.90	6.33	8.95
	5L 652 67 . 120	2.70	1.40	2.37	3.36	4.75	5.82	7.51	10.62
	5L 652 72 . 120	3.00	1.60	3.15	4.45	6.30	7.71	9.96	14.09
	5L 652 76 . 120	3.50	1.70	4.00	5.66	8.00	9.80	12.65	17.89
	5L 652 80 . 120	4.00	2.00	6.25	8.84	12.50	15.31	19.76	27.94
	5L 652 88 . 120	5.00	2.60	8.00	11.31	16.00	19.60	25.30	35.78



SPADFLOW 5L 656/657

Low Pressure Flat-Fan Nozzle

Webpage
+ STP



G1	Dimensions [mm]				Weight
	L1	L2	D	Flats	
Retaining Nut 3/8"	11.0	9.0	14.8	10.0	10 gr

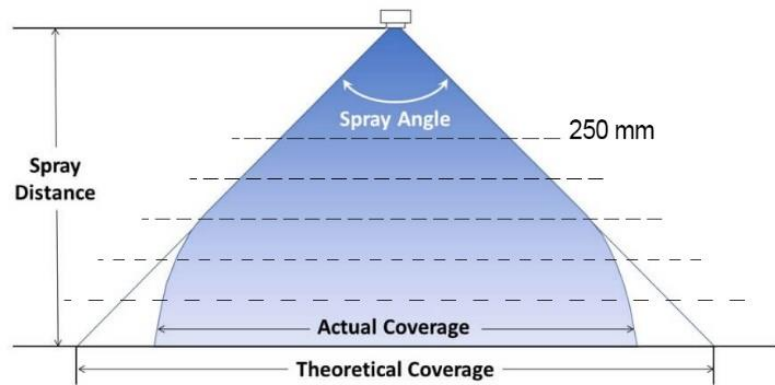
Material*	Code
Brass	1
S.S.304	2
S.S.316	3

* Different materials are available upon request

Properties:

- Uniform, Parabolic Liquid Distribution
- Stable Spray Angle
- Assembly with Retaining Nut

α	Spray coverage @ 250 mm
20°	85 mm
30°	120-140 mm
45°	170-220 mm
60°	260-290 mm
75°	380 mm
90°	420-540 mm
120°	630-900 mm



Spray angle (α)	Code	A \varnothing [mm]	E \varnothing [mm]	Flow rate [l/min]					
				P [bar]					
				0.5	1.0 <i>K factor</i>	2.0	3.0	5.0	10.0
20°	5L 656 72 . 020	3.00	2.50	3.15	4.45	6.30	7.72	9.96	14.09
	5L 656 80 . 020	4.00	3.20	5.00	7.07	10.00	12.25	15.81	22.36
	5L 656 88 . 020	5.00	4.00	8.00	11.31	16.00	19.60	25.30	35.78
	5L 656 92 . 020	5.50	4.40	10.00	14.14	20.00	24.49	31.62	44.72
	5L 656 96 . 020	6.00	5.30	12.50	17.68	25.00	30.62	39.53	55.90
30°	5L 656 72 . 030	3.00	2.40	3.15	4.45	6.30	7.72	9.96	14.09
	5L 656 76 . 030	3.50	2.70	4.00	5.66	8.00	9.80	12.65	17.89
	5L 656 80 . 030	4.00	3.10	5.00	7.07	10.00	12.25	15.81	22.36
	5L 656 88 . 030	5.00	4.00	8.00	11.31	16.00	19.60	25.30	35.78
	5L 656 92 . 030	5.50	4.40	10.00	14.14	20.00	24.49	31.62	44.72
5L 656 96 . 030	6.00	5.00	12.50	17.68	25.00	30.62	39.53	55.90	



SPADFLOW 5L 656/657

Low Pressure Flat-Fan Nozzle

Webpage
+ STP



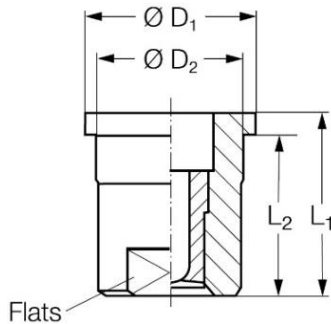
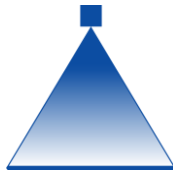
Spray angle (α)	Code	A Ø [mm]	E Ø [mm]	Flow rate [l/min]					
				P [bar]					
				0.5	1.0 <i>K Factor</i>	2.0	3.0	5.0	10.0
45°	5L 656 72 . 045	3.00	2.40	3.15	4.45	6.30	7.72	9.96	14.09
	5L 656 76 . 045	3.50	2.60	4.00	5.66	8.00	9.80	12.65	17.89
	5L 656 80 . 045	4.00	3.00	5.00	7.07	10.00	12.25	15.81	22.36
	5L 656 84 . 045	4.50	3.40	6.25	8.84	12.50	15.31	19.76	27.95
	5L 656 88 . 045	5.00	3.80	8.00	11.31	16.00	19.60	25.30	35.78
	5L 656 92 . 045	5.50	4.20	10.00	14.14	20.00	24.49	31.62	44.72
	5L 656 96 . 045	6.00	4.40	12.50	17.68	25.00	30.62	39.53	55.90
60°	5L 656 72 . 060	3.00	2.10	3.15	4.45	6.30	7.72	9.96	14.09
	5L 656 76 . 060	3.50	2.30	4.00	5.66	8.00	9.80	12.65	17.89
	5L 656 80 . 060	4.00	2.60	5.00	7.07	10.00	12.25	15.81	22.36
	5L 656 84 . 060	4.50	3.00	6.25	8.84	12.50	15.31	19.76	27.95
	5L 656 88 . 060	5.00	3.40	8.00	11.31	16.00	19.60	25.30	35.78
	5L 656 92 . 060	5.50	4.10	10.00	14.14	20.00	24.49	31.62	44.72
	5L 656 96 . 060	6.00	4.20	12.50	17.68	25.00	30.62	39.53	55.90
5L 657 04 . 060	8.00	5.50	20.00	28.28	40.00	48.99	63.25	89.44	
90°	5L 656 72 . 090	3.00	1.70	3.15	4.45	6.30	7.72	9.96	14.09
	5L 656 76 . 090	3.50	1.90	4.00	5.66	8.00	9.80	12.65	17.89
	5L 656 80 . 090	4.00	2.40	5.00	7.07	10.00	12.25	15.81	22.36
	5L 656 84 . 090	4.50	2.40	6.25	8.84	12.50	15.31	19.76	27.95
	5L 656 88 . 090	5.00	3.10	8.00	11.31	16.00	19.60	25.30	35.78
	5L 656 92 . 090	5.50	3.60	10.00	14.14	20.00	24.49	31.62	44.72
	5L 656 96 . 090	6.00	3.90	12.50	17.68	25.00	30.62	39.53	55.90
5L 657 04 . 090	8.00	4.90	20.00	28.28	40.00	48.99	63.25	89.44	
120°	5L 656 72 . 120	3.00	1.60	3.15	4.45	6.30	7.72	9.96	14.09
	5L 656 76 . 120	3.50	1.70	4.00	5.66	8.00	9.80	12.65	17.89
	5L 656 80 . 120	4.00	2.00	5.00	7.07	10.00	12.25	15.81	22.36
	5L 656 88 . 120	5.00	2.60	8.00	11.31	16.00	19.60	25.30	35.78
	5L 656 92 . 120	5.50	2.90	10.00	14.14	20.00	24.49	31.62	44.72



SPADFLOW 5L 652(HP)

High Pressure Cleaning Flat-Fan Nozzle

Webpage
+ STP



G1	Dimensions [mm]					Weight
	L1	L2	D1	D2	Flats	
Retaining Nut 3/8"	16.0	14.0	14.8	12.6	10.0	10 gr

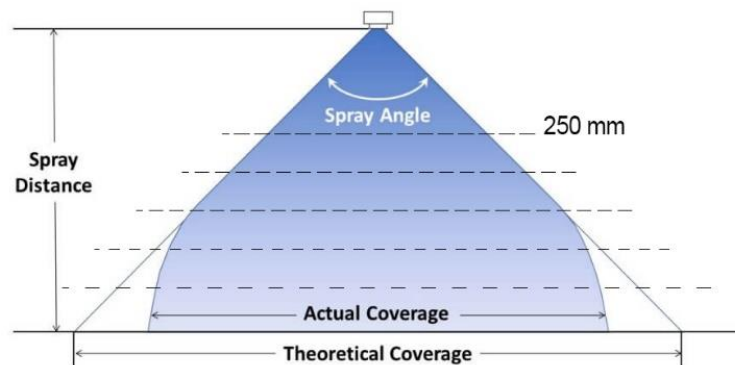
Material*	Code
Brass	1
S.S.304	2
S.S.316	3

* Different materials are available upon request

Properties:

- Uniform, Parabolic Liquid Distribution
- Stable Spray Angle
- Assembly with Retaining Nut

α	Spray coverage
	@ 250 mm
20°	85 mm
30°	125 mm
45°	170 mm
60°	290 mm



Spray angle (α)	Code	General Code	A Ø [mm]	Flow rate [l/min]							
				P [bar]							
				40	60	80	100	120	150	200	
20°	5L 652H 36 . 020	2002	1	2.88	3.53	4.08	4.56	5	5.58	6.45	
	5L 652H 37 . 020	20021	1.02	3.03	3.71	4.28	4.79	5.25	5.87	6.77	
	5L 652H 38 . 020	20025	1.1	3.6	4.42	5.1	5.7	6.24	6.98	8.06	
	5L 652H 39 . 020	20028	1.16	4.04	4.94	5.71	6.38	6.99	7.81	9.02	
	5L 652H 40 . 020	2003	1.18	4.32	5.29	6.11	6.83	7.48	8.37	9.66	
	5L 652H 41 . 020	20034	1.3	4.9	6	6.93	7.75	8.49	9.49	10.96	
	5L 652H 44 . 020	20038	1.33	5.48	6.72	7.75	8.67	9.5	10.62	12.26	
	5L 652H 45 . 020	2004	1.35	5.77	7.06	8.16	9.12	9.99	11.17	12.9	
	5L 652H 46 . 020	20043	1.38	6.2	7.59	8.77	9.8	10.74	12	13.86	
	5L 652H 47 . 020	20045	1.4	6.49	7.95	9.18	10.26	11.24	12.57	14.51	
	5L 652H 48 . 020	2005	1.55	7.21	8.83	10.2	11.4	12.49	13.96	16.12	
	5L 652H 50 . 020	20055	1.6	7.93	9.71	11.22	12.54	13.74	15.36	17.73	
5L 652H 52 . 020	2006	1.72	8.65	10.6	12.24	13.68	14.99	16.75	19.35		



SPADFLOW 5L 652(HP)

High Pressure Cleaning Flat-Fan Nozzle

Webpage
+ STP



Spray angle (α)	Code	General Code	A Ø [mm]	Flow rate [l/min]						
				P [bar]						
				40	60	80	100	120	150	200
20°	5L 652H 53 . 020	20065	1.75	9.37	11.48	13.26	14.82	16.23	18.15	20.96
	5L 652H 54 . 020	2007	1.8	10.09	12.36	14.28	15.96	17.48	19.55	22.57
	5L 652H 55 . 020	20075	1.9	10.81	13.25	15.29	17.1	18.73	20.94	24.18
	5L 652H 57 . 020	2008	2.05	11.54	14.13	16.31	18.24	19.98	22.34	25.8
	5L 652H 58 . 020	20087	2.06	12.54	15.36	17.74	19.83	21.72	24.29	28.04
	5L 652H 59 . 020	2009	2.1	12.98	15.89	18.35	20.52	22.48	25.13	29.02
	5L 652H 60 . 020	2010	2.3	14.41	17.65	20.38	22.79	24.97	27.91	32.23
	5L 652H 62 . 020	2011	2.4	15.86	19.42	22.42	25.07	27.46	30.7	35.45
	5L 652H 64 . 020	20125	2.5	18.02	22.07	25.48	28.49	31.21	34.89	40.29
	5L 652H 65 . 020	20131	2.55	18.89	23.13	26.71	29.86	32.71	36.57	42.23
	5L 652H 66 . 020	20139	2.65	20.04	24.54	28.34	31.68	34.7	38.8	44.8
	5L 652H 67 . 020	2015	2.7	21.62	26.48	30.58	34.19	37.45	41.87	48.35
	5L 652H 70 . 020	20175	3	25.23	30.9	35.68	39.89	43.7	48.86	56.41
30°	5L 652H 36 . 030	3002	1	2.88	3.53	4.08	4.56	5	5.58	6.45
	5L 652H 37 . 030	30021	1.02	3.03	3.71	4.28	4.79	5.25	5.87	6.77
	5L 652H 38 . 030	30025	1.1	3.6	4.42	5.1	5.7	6.24	6.98	8.06
	5L 652H 39 . 030	30028	1.16	4.04	4.94	5.71	6.38	6.99	7.81	9.02
	5L 652H 40 . 030	3003	1.18	4.32	5.29	6.11	6.83	7.48	8.37	9.66
	5L 652H 41 . 030	30034	1.3	4.9	6	6.93	7.75	8.49	9.49	10.96
	5L 652H 44 . 030	30038	1.33	5.48	6.72	7.75	8.67	9.5	10.62	12.26
	5L 652H 45 . 030	3004	1.35	5.77	7.06	8.16	9.12	9.99	11.17	12.9
	5L 652H 46 . 030	30043	1.38	6.2	7.59	8.77	9.8	10.74	12	13.86
	5L 652H 47 . 030	30045	1.4	6.49	7.95	9.18	10.26	11.24	12.57	14.51
	5L 652H 48 . 030	3005	1.55	7.21	8.83	10.2	11.4	12.49	13.96	16.12
	5L 652H 50 . 030	30055	1.6	7.93	9.71	11.22	12.54	13.74	15.36	17.73
	5L 652H 52 . 030	3006	1.72	8.65	10.6	12.24	13.68	14.99	16.75	19.35
	5L 652H 53 . 030	30065	1.75	9.37	11.48	13.26	14.82	16.23	18.15	20.96
	5L 652H 54 . 030	3007	1.8	10.09	12.36	14.28	15.96	17.48	19.55	22.57
	5L 652H 55 . 030	30075	1.9	10.81	13.25	15.29	17.1	18.73	20.94	24.18
	5L 652H 57 . 030	3008	2.05	11.54	14.13	16.31	18.24	19.98	22.34	25.8
	5L 652H 58 . 030	30087	2.06	12.54	15.36	17.74	19.83	21.72	24.29	28.04
	5L 652H 59 . 030	3009	2.1	12.98	15.89	18.35	20.52	22.48	25.13	29.02
5L 652H 60 . 030	3010	2.3	14.41	17.65	20.38	22.79	24.97	27.91	32.23	
5L 652H 62 . 030	3011	2.4	15.86	19.42	22.42	25.07	27.46	30.7	35.45	
5L 652H 64 . 030	30125	2.5	18.02	22.07	25.48	28.49	31.21	34.89	40.29	
5L 652H 65 . 030	30131	2.55	18.89	23.13	26.71	29.86	32.71	36.57	42.23	
5L 652H 66 . 030	30139	2.65	20.04	24.54	28.34	31.68	34.7	38.8	44.8	
5L 652H 67 . 030	3015	2.7	21.62	26.48	30.58	34.19	37.45	41.87	48.35	
5L 652H 70 . 030	30175	3	25.23	30.9	35.68	39.89	43.7	48.86	56.41	
40°	5L 652H 36 . 040	4002	1	2.88	3.53	4.08	4.56	5	5.58	6.45
	5L 652H 37 . 040	40021	1.02	3.03	3.71	4.28	4.79	5.25	5.87	6.77
	5L 652H 38 . 040	40025	1.1	3.6	4.42	5.1	5.7	6.24	6.98	8.06
	5L 652H 39 . 040	40028	1.16	4.04	4.94	5.71	6.38	6.99	7.81	9.02
	5L 652H 40 . 040	4003	1.18	4.32	5.29	6.11	6.83	7.48	8.37	9.66
	5L 652H 41 . 040	40034	1.3	4.9	6	6.93	7.75	8.49	9.49	10.96
	5L 652H 44 . 040	40038	1.33	5.48	6.72	7.75	8.67	9.5	10.62	12.26
	5L 652H 45 . 040	4004	1.35	5.77	7.06	8.16	9.12	9.99	11.17	12.9
	5L 652H 47 . 040	40040	1.4	6.49	7.95	9.18	10.26	11.24	12.57	14.51
	5L 652H 48 . 040	4005	1.55	7.21	8.83	10.2	11.4	12.49	13.96	16.12
	5L 652H 50 . 040	40055	1.6	7.93	9.71	11.22	12.54	13.74	15.36	17.73
	5L 652H 52 . 040	4006	1.72	8.65	10.6	12.24	13.68	14.99	16.75	19.35
	5L 652H 53 . 040	40065	1.75	9.37	11.48	13.26	14.82	16.23	18.15	20.96
	5L 652H 54 . 040	4007	1.8	10.09	12.36	14.28	15.96	17.48	19.55	22.57
	5L 652H 55 . 040	40075	1.9	10.81	13.25	15.29	17.1	18.73	20.94	24.18
	5L 652H 57 . 040	4008	2.05	11.54	14.13	16.31	18.24	19.98	22.34	25.8
	5L 652H 58 . 040	40087	2.06	12.54	15.36	17.74	19.83	21.72	24.29	28.04
	5L 652H 59 . 040	4009	2.1	12.98	15.89	18.35	20.52	22.48	25.13	29.02
	5L 652H 60 . 040	4010	2.3	14.41	17.65	20.38	22.79	24.97	27.91	32.23
5L 652H 62 . 040	4011	2.4	15.86	19.42	22.42	25.07	27.46	30.7	35.45	
5L 652H 64 . 040	40125	2.5	18.02	22.07	25.48	28.49	31.21	34.89	40.29	



SPADFLOW 5L 652(HP)

High Pressure Cleaning Flat-Fan Nozzle

Webpage
+ STP



Spray angle (α)	Code	General Code	A Ø [mm]	Flow rate [l/min]						
				P [bar]						
				40	60	80	100	120	150	200
40°	5L 652H 65 . 040	40131	2.55	18.89	23.13	26.71	29.86	32.71	36.57	42.23
	5L 652H 66 . 040	40139	2.65	20.04	24.54	28.34	31.68	34.7	38.8	44.8
	5L 652H 67 . 040	4015	2.7	21.62	26.48	30.58	34.19	37.45	41.87	48.35
	5L 652H 70 . 040	40175	3	25.23	30.9	35.68	39.89	43.7	48.86	56.41
	5L 652H 72 . 040	4020	3.05	28.83	35.31	40.78	45.59	49.94	55.84	64.47
	5L 652H 76 . 040	4025	3.5	36.04	44.14	50.97	56.99	62.43	69.8	80.6
45°	5L 652H 79 . 040	4030	3.9	43.25	52.97	61.16	68.38	74.91	83.75	96.7
	5L 652H 36 . 045	4502	1	2.88	3.53	4.08	4.56	5	5.58	6.45
	5L 652H 37 . 045	45021	1.02	3.03	3.71	4.28	4.79	5.25	5.87	6.77
	5L 652H 38 . 045	45025	1.1	3.6	4.42	5.1	5.7	6.24	6.98	8.06
	5L 652H 39 . 045	45028	1.16	4.04	4.94	5.71	6.38	6.99	7.81	9.02
	5L 652H 40 . 045	4503	1.18	4.32	5.29	6.11	6.83	7.48	8.37	9.66
	5L 652H 41 . 045	45034	1.3	4.9	6	6.93	7.75	8.49	9.49	10.96
	5L 652H 44 . 045	45038	1.33	5.48	6.72	7.75	8.67	9.5	10.62	12.26
	5L 652H 45 . 045	4504	1.35	5.77	7.06	8.16	9.12	9.99	11.17	12.9
	5L 652H 47 . 045	45045	1.4	6.49	7.95	9.18	10.26	11.24	12.57	14.51
	5L 652H 48 . 045	4505	1.55	7.21	8.83	10.2	11.4	12.49	13.96	16.12
	5L 652H 50 . 045	45055	1.6	7.93	9.71	11.22	12.54	13.74	15.36	17.73
	5L 652H 52 . 045	4506	1.72	8.65	10.6	12.24	13.68	14.99	16.75	19.35
	5L 652H 53 . 045	45065	1.75	9.37	11.48	13.26	14.82	16.23	18.15	20.96
	5L 652H 54 . 045	4507	1.8	10.09	12.36	14.28	15.96	17.48	19.55	22.57
	5L 652H 55 . 045	45075	1.9	10.81	13.25	15.29	17.1	18.73	20.94	24.18
	5L 652H 57 . 045	4508	2.05	11.54	14.13	16.31	18.24	19.98	22.34	25.8
	5L 652H 58 . 045	45087	2.06	12.54	15.36	17.74	19.83	21.72	24.29	28.04
	5L 652H 59 . 045	4509	2.1	12.98	15.89	18.35	20.52	22.48	25.13	29.02
	5L 652H 60 . 045	4510	2.3	14.41	17.65	20.38	22.79	24.97	27.91	32.23
5L 652H 62 . 045	4511	2.4	15.86	19.42	22.42	25.07	27.46	30.7	35.45	
5L 652H 64 . 045	45125	2.5	18.02	22.07	25.48	28.49	31.21	34.89	40.29	
5L 652H 65 . 045	45131	2.55	18.89	23.13	26.71	29.86	32.71	36.57	42.23	
5L 652H 66 . 045	45139	2.65	20.04	24.54	28.34	31.68	34.7	38.8	44.8	
5L 652H 67 . 045	4515	2.7	21.62	26.48	30.58	34.19	37.45	41.87	48.35	
5L 652H 70 . 045	45175	3	25.23	30.9	35.68	39.89	43.7	48.86	56.41	
5L 652H 72 . 045	4520	3.05	28.83	35.31	40.78	45.59	49.94	55.84	64.47	
5L 652H 76 . 045	4525	3.5	36.04	44.14	50.97	56.99	62.43	69.8	80.6	
5L 652H 79 . 045	4530	3.9	43.25	52.97	61.16	68.38	74.91	83.75	96.7	
60°	5L 652H 36 . 060	6002	1	2.88	3.53	4.08	4.56	5	5.58	6.45
	5L 652H 37 . 060	60021	1.02	3.03	3.71	4.28	4.79	5.25	5.87	6.77
	5L 652H 38 . 060	60025	1.1	3.6	4.42	5.1	5.7	6.24	6.98	8.06
	5L 652H 39 . 060	60028	1.16	4.04	4.94	5.71	6.38	6.99	7.81	9.02
	5L 652H 40 . 060	6003	1.18	4.32	5.29	6.11	6.83	7.48	8.37	9.66
	5L 652H 41 . 060	60034	1.3	4.9	6	6.93	7.75	8.49	9.49	10.96
	5L 652H 45 . 060	6004	1.35	5.77	7.06	8.16	9.12	9.99	11.17	12.9
	5L 652H 47 . 060	60045	1.4	6.49	7.95	9.18	10.26	11.24	12.57	14.51
	5L 652H 48 . 060	6005	1.55	7.21	8.83	10.2	11.4	12.49	13.96	16.12
	5L 652H 50 . 060	60055	1.6	7.93	9.71	11.22	12.54	13.74	15.36	17.73
	5L 652H 52 . 060	6006	1.72	8.65	10.6	12.24	13.68	14.99	16.75	19.35
	5L 652H 53 . 060	60065	1.75	9.37	11.48	13.26	14.82	16.23	18.15	20.96
	5L 652H 54 . 060	6007	1.8	10.09	12.36	14.28	15.96	17.48	19.55	22.57
	5L 652H 55 . 060	60075	1.9	10.81	13.25	15.29	17.1	18.73	20.94	24.18
	5L 652H 57 . 060	6008	2.05	11.54	14.13	16.31	18.24	19.98	22.34	25.8
	5L 652H 58 . 060	60087	2.06	12.54	15.36	17.74	19.83	21.72	24.29	28.04
	5L 652H 59 . 060	6009	2.1	12.98	15.89	18.35	20.52	22.48	25.13	29.02
	5L 652H 60 . 060	6010	2.3	14.41	17.65	20.38	22.79	24.97	27.91	32.23
	5L 652H 62 . 060	6011	2.4	15.86	19.42	22.42	25.07	27.46	30.7	35.45
	5L 652H 64 . 060	60125	2.5	18.02	22.07	25.48	28.49	31.21	34.89	40.29
5L 652H 65 . 060	60131	2.55	18.89	23.13	26.71	29.86	32.71	36.57	42.23	
5L 652H 66 . 060	60139	2.65	20.04	24.54	28.34	31.68	34.7	38.8	44.8	
5L 652H 67 . 060	6015	2.7	21.62	26.48	30.58	34.19	37.45	41.87	48.35	
5L 652H 70 . 060	60175	3	25.23	30.9	35.68	39.89	43.7	48.86	56.41	
5L 652H 72 . 060	6020	3.05	28.83	35.31	40.78	45.59	49.94	55.84	64.47	
5L 652H 76 . 060	6025	3.5	36.04	44.14	50.97	56.99	62.43	69.8	80.6	



SPADFLOW 5L 652(HP)

High Pressure Cleaning Flat-Fan Nozzle

Webpage
+ STP



Spray angle (α)	Code	General Code	A Ø [mm]	Flow rate [l/min]						
				P [bar]						
				40	60	80	100	120	150	200
80°	5L 652H 36 . 080	8002	1	2.88	3.53	4.08	4.56	5	5.58	6.45
	5L 652H 37 . 080	80021	1.02	3.03	3.71	4.28	4.79	5.25	5.87	6.77
	5L 652H 38 . 080	80025	1.1	3.6	4.42	5.1	5.7	6.24	6.98	8.06
	5L 652H 39 . 080	80028	1.16	4.04	4.94	5.71	6.38	6.99	7.81	9.02
	5L 652H 40 . 080	8003	1.18	4.32	5.29	6.11	6.83	7.48	8.37	9.66
	5L 652H 41 . 080	80034	1.3	4.9	6	6.93	7.75	8.49	9.49	10.96
	5L 652H 45 . 080	8004	1.35	5.77	7.06	8.16	9.12	9.99	11.17	12.9
	5L 652H 47 . 080	80045	1.4	6.49	7.95	9.18	10.26	11.24	12.57	14.51
	5L 652H 48 . 080	8005	1.55	7.21	8.83	10.2	11.4	12.49	13.96	16.12
	5L 652H 50 . 080	80055	1.6	7.93	9.71	11.22	12.54	13.74	15.36	17.73
	5L 652H 52 . 080	8006	1.72	8.65	10.6	12.24	13.68	14.99	16.75	19.35
	5L 652H 53 . 080	80065	1.75	9.37	11.48	13.26	14.82	16.23	18.15	20.96
	5L 652H 54 . 080	8007	1.8	10.09	12.36	14.28	15.96	17.48	19.55	22.57
	5L 652H 55 . 080	80075	1.9	10.81	13.25	15.29	17.1	18.73	20.94	24.18
	5L 652H 57 . 080	8008	2.05	11.54	14.13	16.31	18.24	19.98	22.34	25.8
	5L 652H 58 . 080	80087	2.06	12.54	15.36	17.74	19.83	21.72	24.29	28.04
	5L 652H 59 . 080	8009	2.1	12.98	15.89	18.35	20.52	22.48	25.13	29.02
	5L 652H 60 . 080	8010	2.3	14.41	17.65	20.38	22.79	24.97	27.91	32.23
	5L 652H 62 . 080	8011	2.4	15.86	19.42	22.42	25.07	27.46	30.7	35.45
	5L 652H 64 . 080	80125	2.5	18.02	22.07	25.48	28.49	31.21	34.89	40.29
5L 652H 65 . 080	80131	2.55	18.89	23.13	26.71	29.86	32.71	36.57	42.23	
5L 652H 66 . 080	80139	2.65	20.04	24.54	28.34	31.68	34.7	38.8	44.8	
5L 652H 67 . 080	8015	2.7	21.62	26.48	30.58	34.19	37.45	41.87	48.35	
5L 652H 70 . 080	80175	3	25.23	30.9	35.68	39.89	43.7	48.86	56.41	
5L 652H 72 . 080	8020	3.05	28.83	35.31	40.78	45.59	49.94	55.84	64.47	
5L 652H 76 . 080	8025	3.5	36.04	44.14	50.97	56.99	62.43	69.8	80.6	