

Extra-Large Flow Passage Full-Cone Spray Nozzles Spadflow Series 3S R



3S R

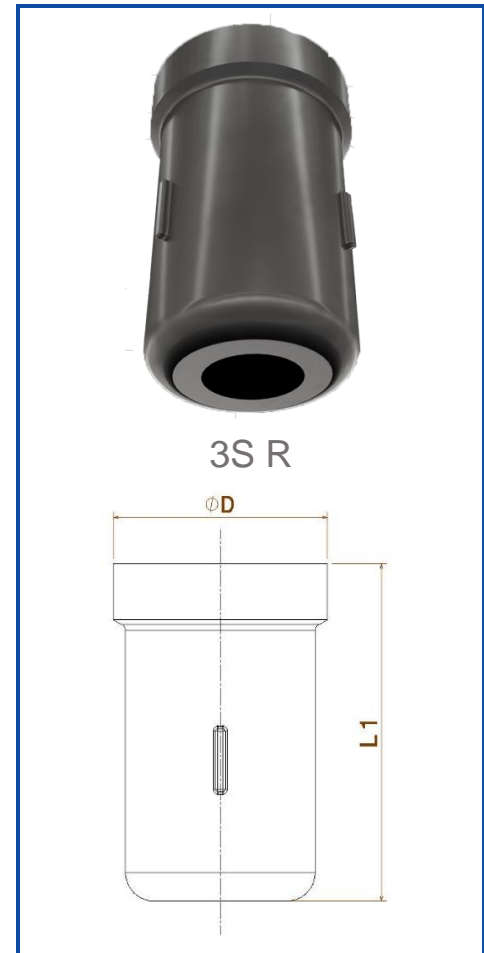
Extra-Large Flow Passage Nozzle

Applications:

- Cooling for steel plants
- Process cooling for food, chemical, and industrial processes
- Fire protection
- Quenching
- Scrubbing

Properties:

- Extra-large flow passages and large open orifice eliminating clogging
- Internal vane is cast as part of the nozzle
- Operating pressures up to 4 bar (full cone pattern develops at 0.7 bar)
- Female Connection

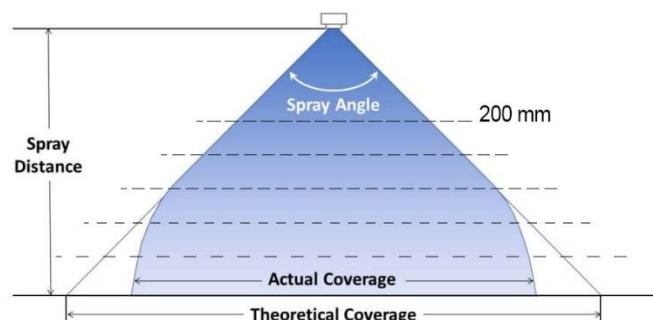


Size	Conn. code			Dimensions [mm]		Weight (kg) (metal)
	BSPT	BSPP	NPT	L ₁	D	
2"	200T	200P	200N	112.7	74.6	1.36
2 1/2"	212T	212P	212N	138.9	88.1	2.49
3"	300T	300P	300N	165.1	104.8	3.40
4"	400T	400P	400N	206.4	127.0	6.12
5"	500T	500P	500N	254.8	161.9	14.97
6"	600T	600P	600N	300.0	193.7	17.46
8"	800T	800P	800N	388.9	241.3	34.02

Material*	Code
Brass	1
S.S.304	2
S.S.316	3

* Different materials are available upon request

α	Spray coverage
	@ 200 mm
50°	180
65°	250
80°	320
95°	420



Order No.: CODE . CONNETION . MATERIAL

Example: 3S R 45 . 050 . 200T . 3 Type 3S R with mentioned Q(lpm)@P(bar), Spray angle: 50°, 2" BSPT, S.S.316

Extra-Large Flow Passage Full-Cone Spray Nozzles

Spadflow Series 3S R



3S R

Spray angle (α)	Code	Connection** [inch]	Flow rate [l/min]							
			P [bar]							
			0.1	0.2	0.4	0.5	0.7	1.5	3	4
50°	3S R 45 . 050	2"	122	168	231	256	298	424	583	665
	3S R 70 . 050	2 1/2"	190	261	359	398	464	659	907	1035
	3S R 110 . 050	3"	298	410	564	625	730	1036	1425	1627
	3S R 160 . 050	4"	434	596	820	909	1061	1507	2073	2366
	3S R 190 . 050	4"	515	708	974	1079	1260	1789	2461	2809
	3S R 250 . 050	5"	677	932	1282	1420	1658	2354	3238	3697
	3S R 280 . 050	5"	759	1044	1436	1591	1857	2637	3627	4140
	3S R 360 . 050	6"	975	1342	1846	2045	2388	3390	4663	5323
	3S R 400 . 050	6"	1084	1491	2051	2273	2653	3767	5181	5915
	3S R 650 . 050	8"	1761	2423	3333	3693	4311	6121	8420	9611
3S R 750 . 050	8"	2032	2795	3845	4261	4974	7063	9715	11090	
65°	3S R 45 . 065	2"	122	168	231	256	298	424	583	665
	3S R 60 . 065	2"	163	224	308	341	398	565	777	887
	3S R 70 . 065	2 1/2"	190	261	359	398	464	659	907	1035
	3S R 90 . 065	2 1/2"	244	335	461	511	597	848	1166	1331
	3S R 110 . 065	3"	298	410	564	625	730	1036	1425	1627
	3S R 140 . 065	3"	379	522	718	795	929	1318	1814	2070
	3S R 160 . 065	4"	434	596	820	909	1061	1507	2073	2366
	3S R 190 . 065	4"	515	708	974	1079	1260	1789	2461	2809
	3S R 250 . 065	4" – 5"	677	932	1282	1420	1658	2354	3238	3697
	3S R 280 . 065	5"	759	1044	1436	1591	1857	2637	3627	4140
	3S R 360 . 065	6"	975	1342	1846	2045	2388	3390	4663	5323
	3S R 380 . 065	5"	1030	1416	1948	2159	2520	3579	4922	5619
	3S R 400 . 065	6"	1084	1491	2051	2273	2653	3767	5181	5915
	3S R 560 . 065	6"	1517	2087	2871	3182	3714	5274	7254	8280
	3S R 650 . 065	8"	1761	2423	3333	3693	4311	6121	8420	9611
3S R 750 . 065	8"	2032	2795	3845	4261	4974	7063	9715	11090	
3S R 850 . 065	8"	2303	3168	4358	4829	5637	8005	11011	12569	
80°	3S R 160 . 080	4"	434	596	820	909	1061	1507	2073	2366
	3S R 250 . 080	5"	677	932	1282	1420	1658	2354	3238	3697
	3S R 360 . 080	6"	975	1342	1846	2045	2388	3390	4663	5323
	3S R 650 . 080	8"	1761	2423	3333	3693	4311	6121	8420	9611
95°	3S R 45 . 095	2"	122	168	231	256	298	424	583	665
	3S R 60 . 095	2"	163	224	308	341	398	565	777	887
	3S R 70 . 095	2 1/2"	190	261	359	398	464	659	907	1035
	3S R 90 . 095	2 1/2"	244	335	461	511	597	848	1166	1331
	3S R 110 . 095	3"	298	410	564	625	730	1036	1425	1627
	3S R 140 . 095	3"	379	522	718	795	929	1318	1814	2070
	3S R 190 . 095	4"	515	708	974	1079	1260	1789	2461	2809
	3S R 250 . 095	4"	677	932	1282	1420	1658	2354	3238	3697
	3S R 280 . 095	5"	759	1044	1436	1591	1857	2637	3627	4140
	3S R 380 . 095	5"	1030	1416	1948	2159	2520	3579	4922	5619
	3S R 400 . 095	6"	1084	1491	2051	2273	2653	3767	5181	5915
	3S R 560 . 095	6"	1517	2087	2871	3182	3714	5274	7254	8280
	3S R 750 . 095	8"	2032	2795	3845	4261	4974	7063	9715	11090
	3S R 850 . 095	8"	2303	3168	4358	4829	5637	8005	11011	12569
	3S R 1000 . 095	8"	2710	3727	5127	5681	6632	9417	12954	14787

** Different connection sizes are available upon request

Order No.: CODE . CONNETION . MATERIAL

Example: 3S R 45 . 050 . 200T . 3 Type 3S R with mentioned Q(lpm)@P(bar), Spray angle: 50°, 2" BSPT, S.S.316