

# Extra-Large Flow Passage Full-Cone Spray Nozzles

## Spadflow Series 3B MP



3B MP

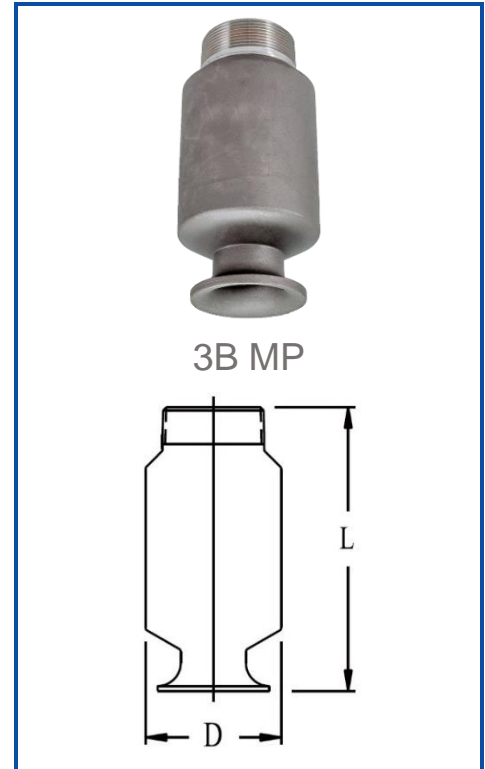
### Extra-Large Flow Passage Full-Cone Nozzle

#### Applications:

- Cooling for steel plants
- Washing
- Process cooling for food, chemical, and industrial processes
- Evaporate tailing ponds or volatile waste
- Fire protection
- Quenching
- Gas scrubbing
- Distribute slurry in open towers

#### Properties:

- Extra-large flow passages and large open orifice eliminating clogging
- Two unique S-shaped internal vanes allow free passage of particles
- High energy efficiency

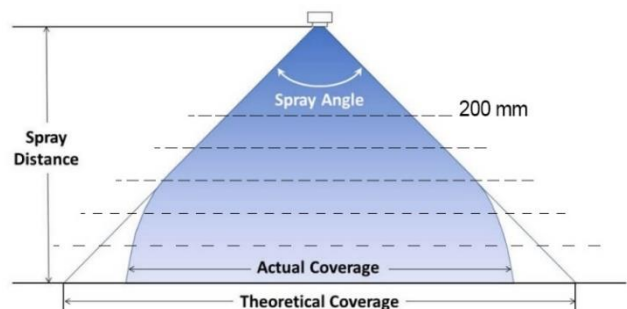


Nozzle Code	Size	Conn. code			L	D	Weight (kg) (metal)
		BSPT	BSPP	NPT			
3B MP 750 . 120	2"	200T	200P	200N	159	66.8	1.59
3B MP 812 . 120	2"	200T	200P	200N	159	66.8	1.59
3B MP 875 . 120	2"	200T	200P	200N	159	66.8	1.59
3B MP 937 . 120	2"	200T	200P	200N	165	82.6	1.70
3B MP 1000 . 120	2"	200T	200P	200N	171	82.6	1.70
3B MP 1000 . 120	2 1/2"	212T	212P	212N	168	82.6	1.70
3B MP 1125 . 120	2"	200T	200P	200N	171	82.6	2.04
3B MP 1125 . 120	2 1/2"	212T	212P	212N	178	82.6	2.04
3B MP 1250 . 120	2 1/2"	212T	212P	212N	181	82.6	2.04
3B MP 1375 . 120	2 1/2"	212T	212P	212N	229	102	2.84
3B MP 1500 . 120	2 1/2"	212T	212P	212N	229	102	2.84
3B MP 1500 . 120	3"	300T	300P	300N	248	121	3.29
3B MP 1625 . 120	3"	300T	300P	300N	251	121	3.29
3B MP 1750 . 120	3"	300T	300P	300N	251	121	3.29
3B MP 1750 . 120	4"	400T	400P	400N	248	121	3.63
3B MP 1875 . 120	4"	400T	400P	400N	248	121	3.63
3B MP 2000 . 120	4"	400T	400P	400N	311	152	7.26
3B MP 2125 . 120	4"	400T	400P	400N	311	152	7.26
3B MP 2250 . 120	4"	400T	400P	400N	311	152	7.26

Material*	Code
Brass	1
S.S.304	2
S.S.316	3

\* Different materials are available upon request

α	Spray coverage
	@ 200 mm
120°	692



Order No.: CODE . CONNETION . MATERIAL

Example: 3B MP 750 . 120 . 200T . 3 Type 3B MP with mentioned Q(lpm)@P(bar), Spray angle: 120°, 2" BSPT, S.S.316

# Extra-Large Flow Passage Full-Cone Spray Nozzles

## Spadflow Series 3B MP



Spray angle (α)	Code	Connection** [inch]	Flow rate [l/min]							
			P [bar]							
			0.2	0.3	0.5	0.7	1 K factor	2	3	5
120°	3B MP 750 . 120	2"	94.8	115	146	171	202	280	339	430
	3B MP 812 . 120	2"	104	126	160	187	221	306	370	471
	3B MP 875 . 120	2"	129	155	197	231	273	378	458	582
	3B MP 937 . 120	2"	144	174	221	259	306	424	513	652
	3B MP 1000 . 120	2" – 2 1/2"	168	203	259	303	358	496	600	763
	3B MP 1125 . 120	2" – 2 1/2"	206	249	317	371	439	608	736	935
	3B MP 1250 . 120	2 1/2"	247	299	381	446	527	730	883	1120
	3B MP 1375 . 120	2 1/2"	297	359	456	535	632	875	1060	1350
	3B MP 1500 . 120	2 1/2" – 3"	363	440	559	655	774	1070	1230	1650
	3B MP 1625 . 120	3"	428	517	658	770	911	1260	1530	1940
	3B MP 1750 . 120	3" – 4"	488	591	751	880	1040	1440	1740	2220
	3B MP 1875 . 120	4"	549	664	845	989	1,170	1,620	1,960	2,490
	3B MP 2000 . 120	4"	643	778	989	1160	1370	1900	2300	2920
	3B MP 2125 . 120	4"	718	869	1100	1290	1530	2120	2560	3260
3B MP 2250 . 120	4"	779	943	1200	1,400	1,660	2,300	2,780	3,540	

\*\* Different connection sizes are available upon request

Order No.: **CODE . CONNETION . MATERIAL**

Example: 3B MP 750 . 120 . 200T . 3 Type 3B MP with mentioned Q(lpm)@P(bar), Spray angle: 120°, 2" BSPT, S.S.316