

# Axial Flow Full-Cone Spray Nozzles

## Spadflow Series 3L 403



3L 403

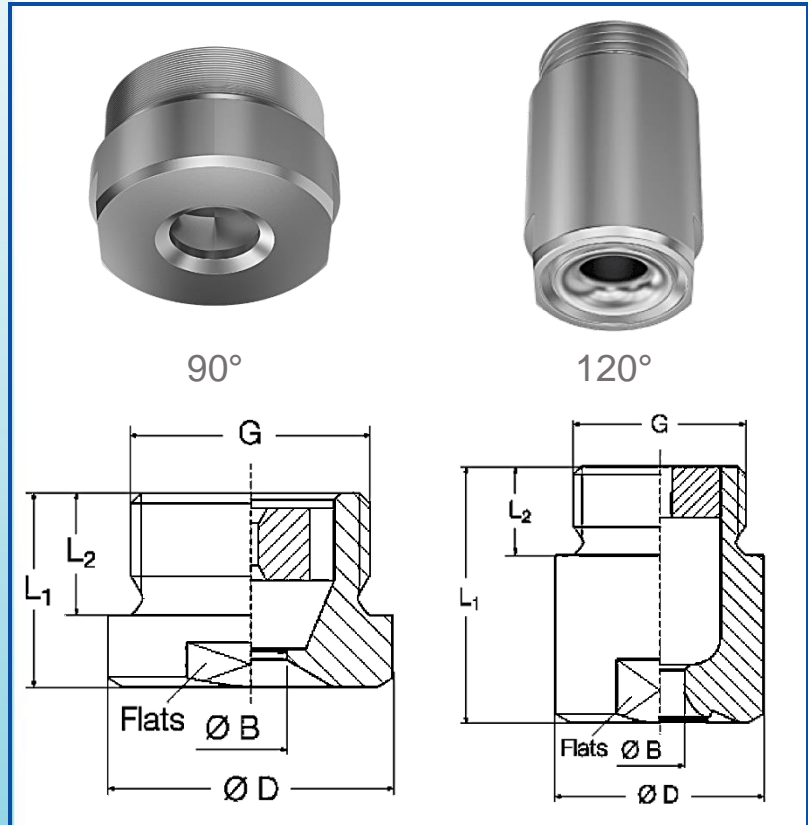
### Very High Flow Full-Cone Nozzle

#### Applications:

- Surface spraying
- Spraying over packings
- Chemical process engineering
- Cooling of gaseous fluids and solids
- Cleaning and washing process

#### Properties:

- Very uniform spray pattern



Version	Conn. code	Dimensions [mm]					Weight
		G	L <sub>1</sub>	L <sub>2</sub>	D	Hex/Flats	
90°	212	2 1/2 BSPP	52	27	83	75	1,300 g
	300	3 BSPP	60	30	98	85	2,000 g
	312	3 1/2 BSPP	70	32	118	105	3,600 g

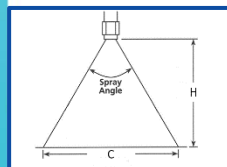
90° version

Nozzle series	Conn. code	Dimensions [mm]					Weight
		G	L <sub>1</sub>	L <sub>2</sub>	D	Hex/Flats	
120°	212	2 1/2 BSPP	124	27	83	75	3200
	300	3 BSPP	153	30	98	85	5400
	312	3 1/2 BSPP	156	32	118	105	8300
	400	4 BSPP	165	36	128	110	9600

120° version

Material*	Code
Brass	1
S.S.304	2
S.S.316	3

α	C [mm] (range)
	@ H=500 mm
90°	900-980
120°	1500-1600



For higher lengths:  $C_2 = \frac{C \times H_2}{500}$

Order No.: **CODE . CONNECTION . MATERIAL**

Example.: 3L 403 44 . 090 . 212 . 3

Type 3L 403 with mentioned Q(lpm)@P(bar), Spray angle: 90°, S.S.316

## Axial Flow Full-Cone Spray Nozzles Spadflow Series 3L 403



3L 403

Spray angle (α)	Code	Connection** [inch]	B ∅ [mm]	E ∅ [mm]	Flow rate [l/min]						
					P [bar]						
					0.3	0.5	1.0 <i>K</i> <i>factor</i>	2.0	3.0	5.0	7.0
90°	3L 403 44 . 090	2 1/2"	25.00	12.00	187	230	303	400	470	577	660
	3L 403 48 . 090	2 1/2"	29.50	12.00	234	287	379	500	588	721	825
	3L 403 52 . 090	3"	32.00	13.80	295	362	477	630	741	909	1,040
	3L 403 60 . 090	3 1/2"	40.00	15.00	468	574	758	1,000	1,176	1,443	1,651
120°	3L 403 44 . 120	2 1/2"	25.50	10.00	187	230	303	400	470	577	660
	3L 403 48 . 120	2 1/2"	29.50	11.00	234	287	379	500	588	721	825
	3L 403 52 . 120	3"	32.00	15.00	295	362	477	630	741	909	1,040
	3L 403 60 . 120	3 1/2"	42.00	12.00	469	574	758	1,000	1,176	1,443	1,651
	3L 403 62 . 120	4"	45.00	15.00	585	718	947	1,250	1,470	1,903	2,063

\* Different materials are available upon request

\*\* Different connection sizes are available upon request

B = bore diameter      E = narrowest free cross section

Order No.: **CODE . CONNECTION . MATERIAL**

Example.: 3L 403 44 . 090 . 212 . 3

Type 3L 403 with mentioned Q(lpm)@P(bar), Spray angle: 90°, S.S.316