

Flat-Fan Spray Nozzles Spadflow Series 5B NF



5B NF

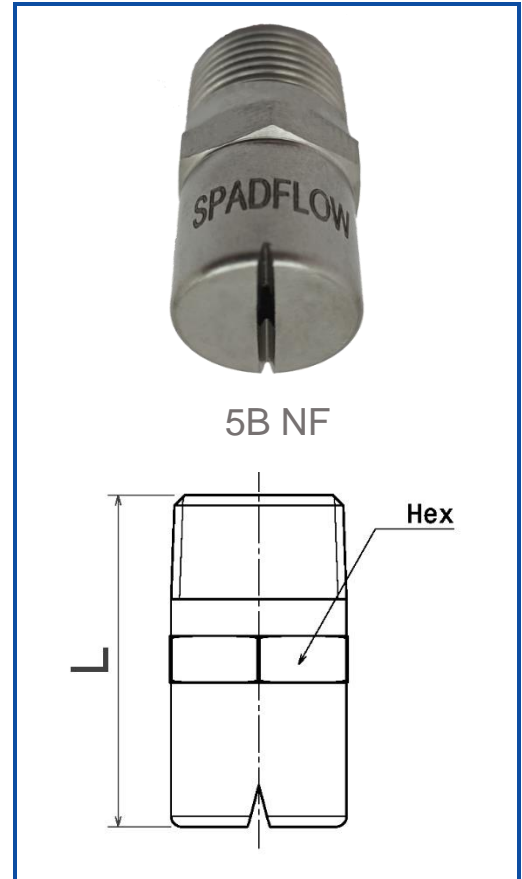
Low Pressure Nozzle for Retaining Nut

Applications:

- Applying additives
- Dust removal
- Car wash
- Coating processes
- Fire protection wall
- Lubrication processes
- Roll cooling
- Washing conveyer

Properties:

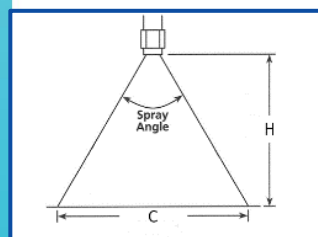
- One-piece construction
- No internal parts
- Sizes for all applications
- Male connection
- High impact
- Uniform distribution with tapered edges for overlapping sprays
- Extra-wide angles available



Conn. code	Dimensions [mm]			Weight (g) (metal)
	G	L ₁	Hex	
018	1/8	22.2	11.1	28.4
014	1/4	27.0	14.3	42.5
038	3/8	31.8	17.5	56.7
012	1/2	38.1	22.2	85.1
034	3/4	44.5	28.6	170
100	1	55.6	34.9	227
114	1 1/4	63.5	44.5	340
112	1 1/2	76.2	50.8	567
200	2	88.9	63.5	1588

Material*	Code
Brass	1
S.S.304	2
S.S.316	3

α	C [mm] (range)
	@ H=250 mm
15°	60
30°	120
50°	220
65°	300
80°	400
90°	500
110°	680
120°	800



For higher lengths: $C_2 = \frac{C \times H_2}{200}$

Order No.: CODE . CONNETION . MATERIAL

Example.: 5B NF 30 . 030 . 014 . 3

Type 5B NF with mentioned Q(lpm)@P(bar), Spray angle: 30°, 1/4", S.S.316

Flat-Fan Spray Nozzles
Spadflow Series 5B NF



Spray angle (α)	Code	Connection** [inch]	A Ø [mm]	Flow rate [l/min]							
				P [bar]							
				0.5	0.7	1.0 <i>K factor</i>	2.0	3.0	5.0	10	30
15°	5B NF01 . 015	1/8"-1/4"	0.66	0.16	0.19	0.23	0.32	0.39	0.51	0.72	1.25
	5B NF015 . 015	1/8"-1/4"	0.79	0.24	0.29	0.34	0.48	0.59	0.76	1.08	1.87
	5B NF02 . 015	1/8"-1/4"	0.91	0.32	0.38	0.46	0.64	0.79	1.02	1.44	2.49
	5B NF025 . 015	1/8"-1/4"	1.02	0.4	0.48	0.57	0.81	0.99	1.27	1.8	3.12
	5B NF03 . 015	1/8"-1/4"	1.09	0.48	0.57	0.68	0.97	1.18	1.53	2.16	3.74
	5B NF04 . 015	1/8"-1/4"	1.32	0.64	0.76	0.91	1.29	1.58	2.04	2.88	4.99
	5B NF05 . 015	1/8"-1/4"	1.45	0.81	0.95	1.14	1.61	1.97	2.55	3.6	6.24
	5B NF06 . 015	1/8"-1/4"	1.57	0.97	1.14	1.37	1.93	2.37	3.06	4.33	7.49
	5B NF08 . 015	1/8"-1/4"	1.83	1.28	1.52	1.82	2.57	3.15	4.06	5.74	9.95
	5B NF10 . 015	1/8"-1/4"-3/8"	2.03	1.61	1.91	2.28	3.22	3.95	5.1	7.21	12.5
	5B NF15 . 015	1/8"-1/4"-3/8"	2.38	2.42	2.86	3.42	4.83	5.92	7.64	10.8	18.7
	5B NF20 . 015	1/8"-1/4"-3/8"	2.78	3.22	3.81	4.56	6.45	7.89	10.2	14.4	25
	5B NF30 . 015	1/8"-1/4"-3/8"	3.57	4.83	5.72	6.84	9.67	11.8	15.3	21.6	37.4
	5B NF40 . 015	1/8"-1/4"-3/8"	3.97	6.45	7.63	9.12	12.9	15.8	20.4	28.8	49.9
	5B NF50 . 015	1/4"-3/8"	4.37	8.06	9.53	11.4	16.1	19.7	25.5	36	62.4
	5B NF60 . 015	1/4"-3/8"-1/2"	4.76	9.67	11.4	13.7	19.3	23.7	30.6	43.2	74.9
	5B NF70 . 015	1/4"-3/8"-1/2"	5.16	11.3	13.3	16	22.6	27.6	35.7	50.4	87.4
	5B NF80 . 015	3/8"-1/2"	5.56	12.9	15.3	18.2	25.8	31.6	40.8	57.7	99.9
	5B NF90 . 015	3/8"-1/2"	5.95	14.5	17.2	20.5	29	35.5	45.9	64.9	112
	5B NF100 . 015	3/8"-1/2"	6.35	16.1	19.1	22.8	32.2	39.5	51	72.1	125
	5B NF120 . 015	3/8"-1/2"	6.75	19.3	22.9	27.3	38.7	47.4	61.1	86.5	150
	5B NF150 . 015	1/2"	7.54	24.2	28.6	34.2	48.3	59.2	76.4	108	187
	5B NF200 . 015	1/2"	8.73	32.2	38.1	45.6	64.5	78.9	102	144	250
	5B NF300 . 015	3/4"	10.7	48.3	57.2	68.4	96.7	118	153	216	374
	5B NF400 . 015	3/4"-1"	12.7	64.5	76.3	91.2	129	158	204	288	499
	5B NF750 . 015	1"	17.5	121	143	171	242	296	382	540	936
5B NF800 . 015	1 1/4"	18.3	129	153	182	258	316	408	577	999	
5B NF1150 . 015	1 1/4"	21.8	185	219	262	371	454	586	829	1440	
5B NF1500 . 015	1 1/2"	24.6	242	286	342	483	592	764	1080	1870	
5B NF2250 . 015	2"	30.2	362	429	513	725	890	1150	1620	2810	
30°	5B NF01 . 030	1/8"-1/4"	0.66	0.16	0.19	0.23	0.32	0.39	0.51	0.72	1.25
	5B NF015 . 030	1/8"-1/4"	0.79	0.24	0.29	0.34	0.48	0.59	0.76	1.08	1.87
	5B NF02 . 030	1/8"-1/4"	0.91	0.32	0.38	0.46	0.64	0.79	1.02	1.44	2.49
	5B NF025 . 030	1/8"-1/4"	1.02	0.4	0.48	0.57	0.81	0.99	1.27	1.8	3.12
	5B NF03 . 030	1/8"-1/4"	1.09	0.48	0.57	0.68	0.97	1.18	1.53	2.16	3.74
	5B NF04 . 030	1/8"-1/4"	1.32	0.64	0.76	0.91	1.29	1.58	2.04	2.88	4.99
	5B NF05 . 030	1/8"-1/4"	1.45	0.81	0.95	1.14	1.61	1.97	2.55	3.6	6.24
	5B NF06 . 030	1/8"-1/4"	1.57	0.97	1.14	1.37	1.93	2.37	3.06	4.33	7.49
	5B NF08 . 030	1/8"-1/4"	1.83	1.28	1.52	1.82	2.57	3.15	4.06	5.74	9.95
	5B NF10 . 030	1/8"-1/4"-3/8"	2.03	1.61	1.91	2.28	3.22	3.95	5.1	7.21	12.5
	5B NF15 . 030	1/8"-1/4"-3/8"	2.38	2.42	2.86	3.42	4.83	5.92	7.64	10.8	18.7
	5B NF20 . 030	1/8"-1/4"-3/8"	2.78	3.22	3.81	4.56	6.45	7.89	10.2	14.4	25
	5B NF30 . 030	1/8"-1/4"-3/8"	3.57	4.83	5.72	6.84	9.67	11.8	15.3	21.6	37.4
	5B NF40 . 030	1/8"-1/4"-3/8"	3.97	6.45	7.63	9.12	12.9	15.8	20.4	28.8	49.9
	5B NF50 . 030	1/4"-3/8"	4.37	8.06	9.53	11.4	16.1	19.7	25.5	36	62.4
	5B NF60 . 030	1/4"-3/8"-1/2"	4.76	9.67	11.4	13.7	19.3	23.7	30.6	43.2	74.9
	5B NF70 . 030	1/4"-3/8"-1/2"	5.16	11.3	13.3	16	22.6	27.6	35.7	50.4	87.4
	5B NF80 . 030	3/8"-1/2"	5.56	12.9	15.3	18.2	25.8	31.6	40.8	57.7	99.9
	5B NF90 . 030	3/8"-1/2"	5.95	14.5	17.2	20.5	29	35.5	45.9	64.9	112
	5B NF100 . 030	3/8"-1/2"	6.35	16.1	19.1	22.8	32.2	39.5	51	72.1	125
	5B NF120 . 030	3/8"-1/2"	6.75	19.3	22.9	27.3	38.7	47.4	61.1	86.5	150
	5B NF150 . 030	1/2"	7.54	24.2	28.6	34.2	48.3	59.2	76.4	108	187
	5B NF200 . 030	1/2"	8.73	32.2	38.1	45.6	64.5	78.9	102	144	250
	5B NF300 . 030	3/4"	10.7	48.3	57.2	68.4	96.7	118	153	216	374
	5B NF400 . 030	3/4"-1"	12.7	64.5	76.3	91.2	129	158	204	288	499
	5B NF750 . 030	1"	17.5	121	143	171	242	296	382	540	936
5B NF800 . 030	1 1/4"	18.3	129	153	182	258	316	408	577	999	
5B NF1150 . 030	1 1/4"	21.8	185	219	262	371	454	586	829	1440	
5B NF1500 . 030	1 1/2"	24.6	242	286	342	483	592	764	1080	1870	

Order No.: CODE . CONNETION . MATERIAL

Example.: 5B NF 30 . 030 . 014 . 3

Type 5B NF with mentioned Q(lpm)@P(bar), Spray angle: 30°, 1/4", S.S.316

Flat-Fan Spray Nozzles
Spadflow Series 5B NF



Spray angle (α)	Code	Connection** [inch]	A Ø [mm]	Flow rate [l/min]							
				P [bar]							
				0.5	0.7	1.0 <i>K factor</i>	2.0	3.0	5.0	10	30
50°	5B NF2250 . 030	2"	30.2	362	429	513	725	890	1150	1620	2810
	5B NF01 . 050	1/8"-1/4"	0.66	0.16	0.19	0.23	0.32	0.39	0.51	0.72	1.25
	5B NF015 . 050	1/8"-1/4"	0.79	0.24	0.29	0.34	0.48	0.59	0.76	1.08	1.87
	5B NF02 . 050	1/8"-1/4"	0.91	0.32	0.38	0.46	0.64	0.79	1.02	1.44	2.49
	5B NF025 . 050	1/8"-1/4"	1.02	0.4	0.48	0.57	0.81	0.99	1.27	1.8	3.12
	5B NF03 . 050	1/8"-1/4"	1.09	0.48	0.57	0.68	0.97	1.18	1.53	2.16	3.74
	5B NF04 . 050	1/8"-1/4"	1.32	0.64	0.76	0.91	1.29	1.58	2.04	2.88	4.99
	5B NF05 . 050	1/8"-1/4"	1.45	0.81	0.95	1.14	1.61	1.97	2.55	3.6	6.24
	5B NF06 . 050	1/8"-1/4"	1.57	0.97	1.14	1.37	1.93	2.37	3.06	4.33	7.49
	5B NF08 . 050	1/8"-1/4"	1.83	1.28	1.52	1.82	2.57	3.15	4.06	5.74	9.95
	5B NF10 . 050	1/8"-1/4"-3/8"	2.03	1.61	1.91	2.28	3.22	3.95	5.1	7.21	12.5
	5B NF15 . 050	1/8"-1/4"-3/8"	2.38	2.42	2.86	3.42	4.83	5.92	7.64	10.8	18.7
	5B NF20 . 050	1/8"-1/4"-3/8"	2.78	3.22	3.81	4.56	6.45	7.89	10.2	14.4	25
	5B NF30 . 050	1/8"-1/4"-3/8"	3.57	4.83	5.72	6.84	9.67	11.8	15.3	21.6	37.4
	5B NF40 . 050	1/8"-1/4"-3/8"	3.97	6.45	7.63	9.12	12.9	15.8	20.4	28.8	49.9
	5B NF50 . 050	1/4"-3/8"	4.37	8.06	9.53	11.4	16.1	19.7	25.5	36	62.4
	5B NF60 . 050	1/4"-3/8"-1/2"	4.76	9.67	11.4	13.7	19.3	23.7	30.6	43.2	74.9
	5B NF70 . 050	1/4"-3/8"-1/2"	5.16	11.3	13.3	16	22.6	27.6	35.7	50.4	87.4
	5B NF80 . 050	3/8"-1/2"	5.56	12.9	15.3	18.2	25.8	31.6	40.8	57.7	99.9
	5B NF90 . 050	3/8"-1/2"	5.95	14.5	17.2	20.5	29	35.5	45.9	64.9	112
	5B NF100 . 050	3/8"-1/2"	6.35	16.1	19.1	22.8	32.2	39.5	51	72.1	125
	5B NF120 . 050	3/8"-1/2"	6.75	19.3	22.9	27.3	38.7	47.4	61.1	86.5	150
	5B NF150 . 050	1/2"	7.54	24.2	28.6	34.2	48.3	59.2	76.4	108	187
	5B NF200 . 050	1/2"	8.73	32.2	38.1	45.6	64.5	78.9	102	144	250
	5B NF300 . 050	3/4"	10.7	48.3	57.2	68.4	96.7	118	153	216	374
	5B NF400 . 050	3/4"-1"	12.7	64.5	76.3	91.2	129	158	204	288	499
	5B NF750 . 050	1"	17.5	121	143	171	242	296	382	540	936
	5B NF800 . 050	1 1/4"	18.3	129	153	182	258	316	408	577	999
5B NF1150 . 050	1 1/4"	21.8	185	219	262	371	454	586	829	1440	
5B NF1500 . 050	1 1/2"	24.6	242	286	342	483	592	764	1080	1870	
5B NF2250 . 050	2"	30.2	362	429	513	725	890	1150	1620	2810	
65°	5B NF01 . 065	1/8"-1/4"	0.66	0.16	0.19	0.23	0.32	0.39	0.51	0.72	1.25
	5B NF015 . 065	1/8"-1/4"	0.79	0.24	0.29	0.34	0.48	0.59	0.76	1.08	1.87
	5B NF02 . 065	1/8"-1/4"	0.91	0.32	0.38	0.46	0.64	0.79	1.02	1.44	2.49
	5B NF025 . 065	1/8"-1/4"	1.02	0.4	0.48	0.57	0.81	0.99	1.27	1.8	3.12
	5B NF03 . 065	1/8"-1/4"	1.09	0.48	0.57	0.68	0.97	1.18	1.53	2.16	3.74
	5B NF04 . 065	1/8"-1/4"	1.32	0.64	0.76	0.91	1.29	1.58	2.04	2.88	4.99
	5B NF05 . 065	1/8"-1/4"	1.45	0.81	0.95	1.14	1.61	1.97	2.55	3.6	6.24
	5B NF06 . 065	1/8"-1/4"	1.57	0.97	1.14	1.37	1.93	2.37	3.06	4.33	7.49
	5B NF08 . 065	1/8"-1/4"	1.83	1.28	1.52	1.82	2.57	3.15	4.06	5.74	9.95
	5B NF10 . 065	1/8"-1/4"-3/8"	2.03	1.61	1.91	2.28	3.22	3.95	5.1	7.21	12.5
	5B NF15 . 065	1/8"-1/4"-3/8"	2.38	2.42	2.86	3.42	4.83	5.92	7.64	10.8	18.7
	5B NF20 . 065	1/8"-1/4"-3/8"	2.78	3.22	3.81	4.56	6.45	7.89	10.2	14.4	25
	5B NF30 . 065	1/8"-1/4"-3/8"	3.57	4.83	5.72	6.84	9.67	11.8	15.3	21.6	37.4
	5B NF40 . 065	1/8"-1/4"-3/8"	3.97	6.45	7.63	9.12	12.9	15.8	20.4	28.8	49.9
	5B NF50 . 065	1/4"-3/8"	4.37	8.06	9.53	11.4	16.1	19.7	25.5	36	62.4
	5B NF60 . 065	1/4"-3/8"-1/2"	4.76	9.67	11.4	13.7	19.3	23.7	30.6	43.2	74.9
	5B NF70 . 065	1/4"-3/8"-1/2"	5.16	11.3	13.3	16	22.6	27.6	35.7	50.4	87.4
	5B NF80 . 065	3/8"-1/2"	5.56	12.9	15.3	18.2	25.8	31.6	40.8	57.7	99.9
	5B NF90 . 065	3/8"-1/2"	5.95	14.5	17.2	20.5	29	35.5	45.9	64.9	112
	5B NF100 . 065	3/8"-1/2"	6.35	16.1	19.1	22.8	32.2	39.5	51	72.1	125
	5B NF120 . 065	3/8"-1/2"	6.75	19.3	22.9	27.3	38.7	47.4	61.1	86.5	150
	5B NF150 . 065	1/2"	7.54	24.2	28.6	34.2	48.3	59.2	76.4	108	187
	5B NF200 . 065	1/2"	8.73	32.2	38.1	45.6	64.5	78.9	102	144	250
	5B NF300 . 065	3/4"	10.7	48.3	57.2	68.4	96.7	118	153	216	374
	5B NF400 . 065	3/4"-1"	12.7	64.5	76.3	91.2	129	158	204	288	499
	5B NF750 . 065	1"	17.5	121	143	171	242	296	382	540	936
	5B NF800 . 065	1 1/4"	18.3	129	153	182	258	316	408	577	999
	5B NF1150 . 065	1 1/4"	21.8	185	219	262	371	454	586	829	1440
5B NF1500 . 065	1 1/2"	24.6	242	286	342	483	592	764	1080	1870	
5B NF2250 . 065	2"	30.2	362	429	513	725	890	1150	1620	2810	

Order No.: CODE . CONNETION . MATERIAL

Example.: 5B NF 30 . 030 . 014 . 3

Type 5B NF with mentioned Q(lpm)@P(bar), Spray angle: 30°, 1/4", S.S.316

Flat-Fan Spray Nozzles
Spadflow Series 5B NF



Spray angle (α)	Code	Connection** [inch]	A Ø [mm]	Flow rate [l/min]							
				P [bar]							
				0.5	0.7	1.0 <i>K factor</i>	2.0	3.0	5.0	10	30
80°	5B NF01 . 080	1/8"-1/4"	0.66	0.16	0.19	0.23	0.32	0.39	0.51	0.72	1.25
	5B NF015 . 080	1/8"-1/4"	0.79	0.24	0.29	0.34	0.48	0.59	0.76	1.08	1.87
	5B NF02 . 080	1/8"-1/4"	0.91	0.32	0.38	0.46	0.64	0.79	1.02	1.44	2.49
	5B NF025 . 080	1/8"-1/4"	1.02	0.4	0.48	0.57	0.81	0.99	1.27	1.8	3.12
	5B NF03 . 080	1/8"-1/4"	1.09	0.48	0.57	0.68	0.97	1.18	1.53	2.16	3.74
	5B NF04 . 080	1/8"-1/4"	1.32	0.64	0.76	0.91	1.29	1.58	2.04	2.88	4.99
	5B NF05 . 080	1/8"-1/4"	1.45	0.81	0.95	1.14	1.61	1.97	2.55	3.6	6.24
	5B NF06 . 080	1/8"-1/4"	1.57	0.97	1.14	1.37	1.93	2.37	3.06	4.33	7.49
	5B NF08 . 080	1/8"-1/4"	1.83	1.28	1.52	1.82	2.57	3.15	4.06	5.74	9.95
	5B NF10 . 080	1/8"-1/4"-3/8"	2.03	1.61	1.91	2.28	3.22	3.95	5.1	7.21	12.5
	5B NF15 . 080	1/8"-1/4"-3/8"	2.38	2.42	2.86	3.42	4.83	5.92	7.64	10.8	18.7
	5B NF20 . 080	1/8"-1/4"-3/8"	2.78	3.22	3.81	4.56	6.45	7.89	10.2	14.4	25
	5B NF30 . 080	1/8"-1/4"-3/8"	3.57	4.83	5.72	6.84	9.67	11.8	15.3	21.6	37.4
	5B NF40 . 080	1/8"-1/4"-3/8"	3.97	6.45	7.63	9.12	12.9	15.8	20.4	28.8	49.9
	5B NF50 . 080	1/4"-3/8"	4.37	8.06	9.53	11.4	16.1	19.7	25.5	36	62.4
	5B NF60 . 080	1/4"-3/8"-1/2"	4.76	9.67	11.4	13.7	19.3	23.7	30.6	43.2	74.9
	5B NF70 . 080	1/4"-3/8"-1/2"	5.16	11.3	13.3	16	22.6	27.6	35.7	50.4	87.4
	5B NF80 . 080	3/8"-1/2"	5.56	12.9	15.3	18.2	25.8	31.6	40.8	57.7	99.9
	5B NF90 . 080	3/8"-1/2"	5.95	14.5	17.2	20.5	29	35.5	45.9	64.9	112
	5B NF100 . 080	3/8"-1/2"	6.35	16.1	19.1	22.8	32.2	39.5	51	72.1	125
	5B NF120 . 080	3/8"-1/2"	6.75	19.3	22.9	27.3	38.7	47.4	61.1	86.5	150
	5B NF150 . 080	1/2"	7.54	24.2	28.6	34.2	48.3	59.2	76.4	108	187
	5B NF200 . 080	1/2"	8.73	32.2	38.1	45.6	64.5	78.9	102	144	250
	5B NF300 . 080	3/4"	10.7	48.3	57.2	68.4	96.7	118	153	216	374
	5B NF400 . 080	3/4"-1"	12.7	64.5	76.3	91.2	129	158	204	288	499
	5B NF750 . 080	1"	17.5	121	143	171	242	296	382	540	936
5B NF800 . 080	1 1/4"	18.3	129	153	182	258	316	408	577	999	
5B NF1150 . 080	1 1/4"	21.8	185	219	262	371	454	586	829	1440	
5B NF1500 . 080	1 1/2"	24.6	242	286	342	483	592	764	1080	1870	
5B NF2250 . 080	2"	30.2	362	429	513	725	890	1150	1620	2810	
90°	5B NF01 . 090	1/8"-1/4"	0.66	0.16	0.19	0.23	0.32	0.39	0.51	0.72	1.25
	5B NF015 . 090	1/8"-1/4"	0.79	0.24	0.29	0.34	0.48	0.59	0.76	1.08	1.87
	5B NF02 . 090	1/8"-1/4"	0.91	0.32	0.38	0.46	0.64	0.79	1.02	1.44	2.49
	5B NF025 . 090	1/8"-1/4"	1.02	0.4	0.48	0.57	0.81	0.99	1.27	1.8	3.12
	5B NF03 . 090	1/8"-1/4"	1.09	0.48	0.57	0.68	0.97	1.18	1.53	2.16	3.74
	5B NF04 . 090	1/8"-1/4"	1.32	0.64	0.76	0.91	1.29	1.58	2.04	2.88	4.99
	5B NF05 . 090	1/8"-1/4"	1.45	0.81	0.95	1.14	1.61	1.97	2.55	3.6	6.24
	5B NF06 . 090	1/8"-1/4"	1.57	0.97	1.14	1.37	1.93	2.37	3.06	4.33	7.49
	5B NF08 . 090	1/8"-1/4"	1.83	1.28	1.52	1.82	2.57	3.15	4.06	5.74	9.95
	5B NF10 . 090	1/8"-1/4"-3/8"	2.03	1.61	1.91	2.28	3.22	3.95	5.1	7.21	12.5
	5B NF15 . 090	1/8"-1/4"-3/8"	2.38	2.42	2.86	3.42	4.83	5.92	7.64	10.8	18.7
	5B NF20 . 090	1/8"-1/4"-3/8"	2.78	3.22	3.81	4.56	6.45	7.89	10.2	14.4	25
	5B NF30 . 090	1/8"-1/4"-3/8"	3.57	4.83	5.72	6.84	9.67	11.8	15.3	21.6	37.4
	5B NF40 . 090	1/8"-1/4"-3/8"	3.97	6.45	7.63	9.12	12.9	15.8	20.4	28.8	49.9
	5B NF50 . 090	1/4"-3/8"	4.37	8.06	9.53	11.4	16.1	19.7	25.5	36	62.4
	5B NF60 . 090	1/4"-3/8"-1/2"	4.76	9.67	11.4	13.7	19.3	23.7	30.6	43.2	74.9
	5B NF70 . 090	1/4"-3/8"-1/2"	5.16	11.3	13.3	16	22.6	27.6	35.7	50.4	87.4
	5B NF80 . 090	3/8"-1/2"	5.56	12.9	15.3	18.2	25.8	31.6	40.8	57.7	99.9
	5B NF90 . 090	3/8"-1/2"	5.95	14.5	17.2	20.5	29	35.5	45.9	64.9	112
	5B NF100 . 090	3/8"-1/2"	6.35	16.1	19.1	22.8	32.2	39.5	51	72.1	125
	5B NF120 . 090	3/8"-1/2"	6.75	19.3	22.9	27.3	38.7	47.4	61.1	86.5	150
	5B NF150 . 090	1/2"	7.54	24.2	28.6	34.2	48.3	59.2	76.4	108	187
	5B NF200 . 090	1/2"	8.73	32.2	38.1	45.6	64.5	78.9	102	144	250
	5B NF300 . 090	3/4"	10.7	48.3	57.2	68.4	96.7	118	153	216	374
	5B NF400 . 090	3/4"-1"	12.7	64.5	76.3	91.2	129	158	204	288	499
	5B NF750 . 090	1"	17.5	121	143	171	242	296	382	540	936
5B NF800 . 090	1 1/4"	18.3	129	153	182	258	316	408	577	999	
5B NF1150 . 090	1 1/4"	21.8	185	219	262	371	454	586	829	1440	
5B NF1500 . 090	1 1/2"	24.6	242	286	342	483	592	764	1080	1870	
5B NF2250 . 090	2"	30.2	362	429	513	725	890	1150	1620	2810	
110°	5B NF01 . 110	1/8"-1/4"	0.66	0.16	0.19	0.23	0.32	0.39	0.51	0.72	1.25

Order No.: CODE . CONNETION . MATERIAL

Example.: 5B NF 30 . 030 . 014 . 3

Type 5B NF with mentioned Q(lpm)@P(bar), Spray angle: 30°, 1/4", S.S.316

Flat-Fan Spray Nozzles
Spadflow Series 5B NF



Spray angle (α)	Code	Connection** [inch]	A Ø [mm]	Flow rate [l/min]							
				P [bar]							
				0.5	0.7	1.0 <i>K factor</i>	2.0	3.0	5.0	10	30
110°	5B NF015 . 110	1/8"-1/4"	0.79	0.24	0.29	0.34	0.48	0.59	0.76	1.08	1.87
	5B NF02 . 110	1/8"-1/4"	0.91	0.32	0.38	0.46	0.64	0.79	1.02	1.44	2.49
	5B NF025 . 110	1/8"-1/4"	1.02	0.4	0.48	0.57	0.81	0.99	1.27	1.8	3.12
	5B NF03 . 110	1/8"-1/4"	1.09	0.48	0.57	0.68	0.97	1.18	1.53	2.16	3.74
	5B NF04 . 110	1/8"-1/4"	1.32	0.64	0.76	0.91	1.29	1.58	2.04	2.88	4.99
	5B NF05 . 110	1/8"-1/4"	1.45	0.81	0.95	1.14	1.61	1.97	2.55	3.6	6.24
	5B NF06 . 110	1/8"-1/4"	1.57	0.97	1.14	1.37	1.93	2.37	3.06	4.33	7.49
	5B NF08 . 110	1/8"-1/4"	1.83	1.28	1.52	1.82	2.57	3.15	4.06	5.74	9.95
	5B NF10 . 110	1/8"-1/4"-3/8"	2.03	1.61	1.91	2.28	3.22	3.95	5.1	7.21	12.5
	5B NF15 . 110	1/8"-1/4"-3/8"	2.38	2.42	2.86	3.42	4.83	5.92	7.64	10.8	18.7
	5B NF20 . 110	1/8"-1/4"-3/8"	2.78	3.22	3.81	4.56	6.45	7.89	10.2	14.4	25
	5B NF30 . 110	1/8"-1/4"-3/8"	3.57	4.83	5.72	6.84	9.67	11.8	15.3	21.6	37.4
	5B NF40 . 110	1/8"-1/4"-3/8"	3.97	6.45	7.63	9.12	12.9	15.8	20.4	28.8	49.9
	5B NF50 . 110	1/4"-3/8"	4.37	8.06	9.53	11.4	16.1	19.7	25.5	36	62.4
	5B NF60 . 110	1/4"-3/8"-1/2"	4.76	9.67	11.4	13.7	19.3	23.7	30.6	43.2	74.9
	5B NF70 . 110	1/4"-3/8"-1/2"	5.16	11.3	13.3	16	22.6	27.6	35.7	50.4	87.4
	5B NF80 . 110	3/8"-1/2"	5.56	12.9	15.3	18.2	25.8	31.6	40.8	57.7	99.9
	5B NF90 . 110	3/8"-1/2"	5.95	14.5	17.2	20.5	29	35.5	45.9	64.9	112
	5B NF100 . 110	3/8"-1/2"	6.35	16.1	19.1	22.8	32.2	39.5	51	72.1	125
	5B NF120 . 110	3/8"-1/2"	6.75	19.3	22.9	27.3	38.7	47.4	61.1	86.5	150
	5B NF150 . 110	1/2"	7.54	24.2	28.6	34.2	48.3	59.2	76.4	108	187
	5B NF200 . 110	1/2"	8.73	32.2	38.1	45.6	64.5	78.9	102	144	250
	5B NF300 . 110	3/4"	10.7	48.3	57.2	68.4	96.7	118	153	216	374
	5B NF400 . 110	3/4"-1"	12.7	64.5	76.3	91.2	129	158	204	288	499
	5B NF750 . 110	1"	17.5	121	143	171	242	296	382	540	936
	5B NF800 . 110	1 1/4"	18.3	129	153	182	258	316	408	577	999
	5B NF1150 . 110	1 1/4"	21.8	185	219	262	371	454	586	829	1440
	5B NF1500 . 110	1 1/2"	24.6	242	286	342	483	592	764	1080	1870
5B NF2250 . 110	2"	30.2	362	429	513	725	890	1150	1620	2810	
120°	5B NF01 . 120	1/8"-1/4"	0.66	0.16	0.19	0.23	0.32	0.39	0.51	0.72	1.25
	5B NF015 . 120	1/8"-1/4"	0.79	0.24	0.29	0.34	0.48	0.59	0.76	1.08	1.87
	5B NF02 . 120	1/8"-1/4"	0.91	0.32	0.38	0.46	0.64	0.79	1.02	1.44	2.49
	5B NF025 . 120	1/8"-1/4"	1.02	0.4	0.48	0.57	0.81	0.99	1.27	1.8	3.12
	5B NF03 . 120	1/8"-1/4"	1.09	0.48	0.57	0.68	0.97	1.18	1.53	2.16	3.74
	5B NF04 . 120	1/8"-1/4"	1.32	0.64	0.76	0.91	1.29	1.58	2.04	2.88	4.99
	5B NF05 . 120	1/8"-1/4"	1.45	0.81	0.95	1.14	1.61	1.97	2.55	3.6	6.24
	5B NF06 . 120	1/8"-1/4"	1.57	0.97	1.14	1.37	1.93	2.37	3.06	4.33	7.49
	5B NF08 . 120	1/8"-1/4"	1.83	1.28	1.52	1.82	2.57	3.15	4.06	5.74	9.95
	5B NF10 . 120	1/8"-1/4"-3/8"	2.03	1.61	1.91	2.28	3.22	3.95	5.1	7.21	12.5
	5B NF15 . 120	1/8"-1/4"-3/8"	2.38	2.42	2.86	3.42	4.83	5.92	7.64	10.8	18.7
	5B NF20 . 120	1/8"-1/4"-3/8"	2.78	3.22	3.81	4.56	6.45	7.89	10.2	14.4	25
	5B NF30 . 120	1/8"-1/4"-3/8"	3.57	4.83	5.72	6.84	9.67	11.8	15.3	21.6	37.4
	5B NF40 . 120	1/8"-1/4"-3/8"	3.97	6.45	7.63	9.12	12.9	15.8	20.4	28.8	49.9
	5B NF50 . 120	1/4"-3/8"	4.37	8.06	9.53	11.4	16.1	19.7	25.5	36	62.4
	5B NF60 . 120	1/4"-3/8"-1/2"	4.76	9.67	11.4	13.7	19.3	23.7	30.6	43.2	74.9
	5B NF70 . 120	1/4"-3/8"-1/2"	5.16	11.3	13.3	16	22.6	27.6	35.7	50.4	87.4
	5B NF80 . 120	3/8"-1/2"	5.56	12.9	15.3	18.2	25.8	31.6	40.8	57.7	99.9
	5B NF90 . 120	3/8"-1/2"	5.95	14.5	17.2	20.5	29	35.5	45.9	64.9	112
	5B NF100 . 120	3/8"-1/2"	6.35	16.1	19.1	22.8	32.2	39.5	51	72.1	125
	5B NF120 . 120	3/8"-1/2"	6.75	19.3	22.9	27.3	38.7	47.4	61.1	86.5	150
	5B NF150 . 120	1/2"	7.54	24.2	28.6	34.2	48.3	59.2	76.4	108	187
	5B NF200 . 120	1/2"	8.73	32.2	38.1	45.6	64.5	78.9	102	144	250
	5B NF300 . 120	3/4"	10.7	48.3	57.2	68.4	96.7	118	153	216	374
	5B NF400 . 120	3/4"-1"	12.7	64.5	76.3	91.2	129	158	204	288	499
	5B NF750 . 120	1"	17.5	121	143	171	242	296	382	540	936
	5B NF800 . 120	1 1/4"	18.3	129	153	182	258	316	408	577	999
	5B NF1150 . 120	1 1/4"	21.8	185	219	262	371	454	586	829	1440
5B NF1500 . 120	1 1/2"	24.6	242	286	342	483	592	764	1080	1870	
5B NF2250 . 120	2"	30.2	362	429	513	725	890	1150	1620	2810	

* Different materials are available upon request
A = equivalent bore diameter

** Different connection sizes are available upon request

Order No.: CODE . CONNETION . MATERIAL

Example.: 5B NF 30 . 030 . 014 . 3

Type 5B NF with mentioned Q(lpm)@P(bar), Spray angle: 30°, 1/4", S.S.316