

Flat-Fan Spray Nozzles

Spadflow Series 5L 688 – 5L 689



5L 688
5L 689

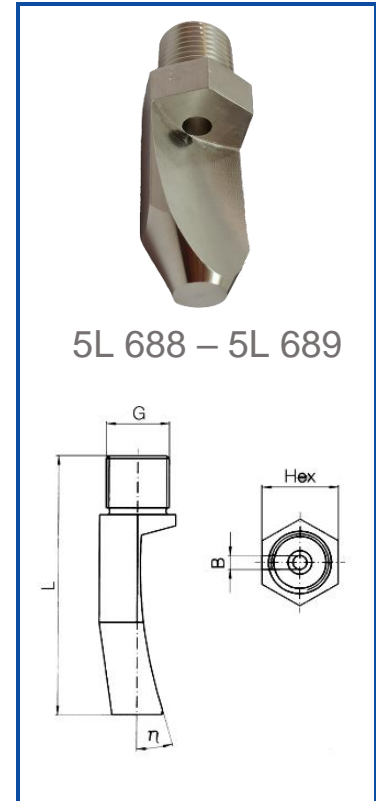
Low Pressure Tongue-Type Nozzle

Applications:

- Cleaning
- Washing
- Degreasing
- Phosphating
- Preparation techniques

Properties:

- Hexagonal section
- High resistance to physical damage
- Sharp flat fan
- Narrowly delimited jet pattern
- Not prone to clogging

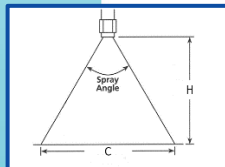


5L 688 – 5L 689

Conn. code	Dimensions [mm]	Weight
	G	
038	3/8 BSPT or BSPP	150 g
012	1/2 BSPT or BSPP	-
034	3/4 BSPP	306g

Material*	Code
Brass	1
S.S.304	2
S.S.316	3

α	C [mm] (range)
	@ H=250 mm
15°	65
30°	135
45°	220



For higher lengths: $C_2 = \frac{C \times H_2}{250}$

Spray angle (α)	Code	η	Connection** [Inch]	B Ø [mm]	Flow rate [l/min]			Dimensions						
					P [bar]			L [mm]			Hex [mm]			
					1.0 <i>K factor</i>	2.0	5.0	R 3/8	R 1/2	R 3/4	R 3/8	R 1/2	R 3/4	
15°	5L 688 92 . 015	10°	1/2"	4.7	14.14	20	31.62	-	103	-	-	-	22	-
	5L 689 00 . 015	9°	3/4"	6	22.27	31.5	49.81	-	-	141	-	-	-	27
	5L 689 12 . 015	9°	3/4"	8.6	44.55	63	99.61	-	-	168	-	-	-	27
30°	5L 688 92 . 030	17°	1/2"	4.7	14.14	20	31.62	-	73	-	-	-	22	-
	5L 689 00 . 030	17°	3/4"	6	22.27	31.5	49.81	-	-	86,5	-	-	-	27
	5L 689 08 . 030	15°	1/2" - 3/4"	7.6	35.36	50	79.06	-	-	97,5	-	-	-	27
	5L 689 12 . 030	15°	3/4"	8.6	44.55	63	99.61	-	-	108,5	-	-	-	27
45°	5L 688 76 . 045	35°	3/8"	3	5.66	8	12.65	42	-	-	-	19	-	-
	5L 688 84 . 045	30°	3/8"	3.8	8.84	12.5	19.76	49,5	-	-	-	19	-	-
	5L 688 92 . 045	29°	3/8"	4.8	14.14	20	31.62	58,5	-	-	-	22	-	-
	5L 688 92 . 045	29°	3/8"	4.8	14.14	20	31.62	54	-	-	-	22	-	-
	5L 689 00 . 045	35°	3/8" - 1/2" - 3/4"	6	22.27	31.5	49.81	65	-	-	73,5	24	-	27
	5L 689 04 . 045	21°	3/8"	6.9	28.28	40	63.25	66,5	-	-	-	24	-	-
	5L 689 08 . 045	18°	3/4"	7.6	35.36	50	79.06	-	-	73,5	-	-	-	27
5L 689 12 . 045	18°	3/8"	8.6	44.55	63	99.61	78,5	-	-	-	24	-	-	

* Different materials are available upon request
B = bore diameter

** Different connection sizes are available upon request

Order No.: CODE . CONNETION . MATERIAL