

Flat-Fan Spray Nozzles Spadflow Series 5L 608



5L 608

Low Pressure Nozzle

Applications:

- High pressure cleaning

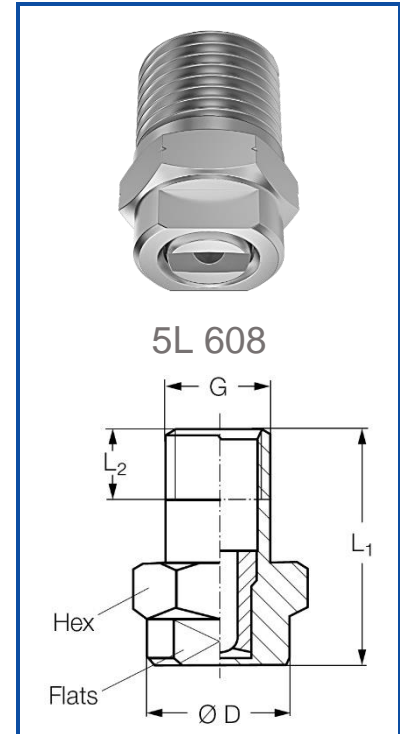
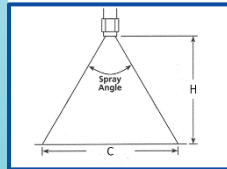
Properties:

- Housing: Stainless steel 303
- Insert: Hardened stainless steel 420F
- Extremely narrow spray depth
- Sharp, uniform flat fan spray

Conn. code	Dimensions [mm]						Weight
	G	L ₁	L ₂	D	Hex	Flats	
018	1/8 BSPT	22.0	6.5	13.0	14	10	13 g
018	1/8 NPT	22.0	6.7	13.0	14	10	13 g

Material*	Code
Brass	1
S.S.304	2
S.S.316	3

α	C [mm] (range)
	@ H=250 mm
20°	85
30°	125
45°	170
60°	290



For higher lengths: $C_2 = \frac{C \times H_2}{200}$

Spray angle (α)	Code	Connection** [inch]	A Ø [mm]	Flow rate [l/min]						
				P [bar]						
				40	60	80	100	120	150	200
20°	5L 608 36 . 020	1/8"	1	2.88	3.53	4.08	4.56	5	5.58	6.45
	5L 608 37 . 020	1/8"	1.02	3.03	3.71	4.28	4.79	5.25	5.87	6.77
	5L 608 38 . 020	1/8"	1.1	3.6	4.42	5.1	5.7	6.24	6.98	8.06
	5L 608 39 . 020	1/8"	1.16	4.04	4.94	5.71	6.38	6.99	7.81	9.02
	5L 608 40 . 020	1/8"	1.18	4.32	5.29	6.11	6.83	7.48	8.37	9.66
	5L 608 41 . 020	1/8"	1.3	4.9	6	6.93	7.75	8.49	9.49	10.96
	5L 608 44 . 020	1/8"	1.33	5.48	6.72	7.75	8.67	9.5	10.62	12.26
	5L 608 45 . 020	1/8"	1.35	5.77	7.06	8.16	9.12	9.99	11.17	12.9
	5L 608 46 . 020	1/8"	1.38	6.2	7.59	8.77	9.8	10.74	12	13.86
	5L 608 47 . 020	1/8"	1.4	6.49	7.95	9.18	10.26	11.24	12.57	14.51
	5L 608 48 . 020	1/8"	1.55	7.21	8.83	10.2	11.4	12.49	13.96	16.12
	5L 608 50 . 020	1/8"	1.6	7.93	9.71	11.22	12.54	13.74	15.36	17.73
	5L 608 52 . 020	1/8"	1.72	8.65	10.6	12.24	13.68	14.99	16.75	19.35
	5L 608 53 . 020	1/8"	1.75	9.37	11.48	13.26	14.82	16.23	18.15	20.96
	5L 608 54 . 020	1/8"	1.8	10.09	12.36	14.28	15.96	17.48	19.55	22.57
	5L 608 55 . 020	1/8"	1.9	10.81	13.25	15.29	17.1	18.73	20.94	24.18
	5L 608 57 . 020	1/8"	2.05	11.54	14.13	16.31	18.24	19.98	22.34	25.8
5L 608 58 . 020	1/8"	2.06	12.54	15.36	17.74	19.83	21.72	24.29	28.04	
5L 608 59 . 020	1/8"	2.1	12.98	15.89	18.35	20.52	22.48	25.13	29.02	
5L 608 60 . 020	1/8"	2.3	14.41	17.65	20.38	22.79	24.97	27.91	32.23	

Order No.: CODE . CONNETION . MATERIAL

Example.: 5L 608 36 . 020 . 018 . 3

Type 5L 608 with mentioned Q(lpm)@P(bar), Spray angle: 20°, 1/8", S.S.316

Flat-Fan Spray Nozzles Spadflow Series 5L 608



5L 608

Spray angle (α)	Code	Connection** [inch]	A Ø [mm]	Flow rate [l/min]						
				P [bar]						
				40	60	80	100	120	150	200
30°	5L 608 36 . 030	1/8"	1	2.88	3.53	4.08	4.56	5	5.58	6.45
	5L 608 37 . 030	1/8"	1.02	3.03	3.71	4.28	4.79	5.25	5.87	6.77
	5L 608 38 . 030	1/8"	1.1	3.6	4.42	5.1	5.7	6.24	6.98	8.06
	5L 608 39 . 030	1/8"	1.16	4.04	4.94	5.71	6.38	6.99	7.81	9.02
	5L 608 40 . 030	1/8"	1.18	4.32	5.29	6.11	6.83	7.48	8.37	9.66
	5L 608 41 . 030	1/8"	1.3	4.9	6	6.93	7.75	8.49	9.49	10.96
	5L 608 44 . 030	1/8"	1.33	5.48	6.72	7.75	8.67	9.5	10.62	12.26
	5L 608 45 . 030	1/8"	1.35	5.77	7.06	8.16	9.12	9.99	11.17	12.9
	5L 608 46 . 030	1/8"	1.38	6.2	7.59	8.77	9.8	10.74	12	13.86
	5L 608 47 . 030	1/8"	1.4	6.49	7.95	9.18	10.26	11.24	12.57	14.51
	5L 608 48 . 030	1/8"	1.55	7.21	8.83	10.2	11.4	12.49	13.96	16.12
	5L 608 50 . 030	1/8"	1.6	7.93	9.71	11.22	12.54	13.74	15.36	17.73
	5L 608 52 . 030	1/8"	1.72	8.65	10.6	12.24	13.68	14.99	16.75	19.35
	5L 608 53 . 030	1/8"	1.75	9.37	11.48	13.26	14.82	16.23	18.15	20.96
	5L 608 54 . 030	1/8"	1.8	10.09	12.36	14.28	15.96	17.48	19.55	22.57
	5L 608 55 . 030	1/8"	1.9	10.81	13.25	15.29	17.1	18.73	20.94	24.18
	5L 608 57 . 030	1/8"	2.05	11.54	14.13	16.31	18.24	19.98	22.34	25.8
	5L 608 58 . 030	1/8"	2.06	12.54	15.36	17.74	19.83	21.72	24.29	28.04
5L 608 59 . 030	1/8"	2.1	12.98	15.89	18.35	20.52	22.48	25.13	29.02	
5L 608 60 . 030	1/8"	2.3	14.41	17.65	20.38	22.79	24.97	27.91	32.23	
45°	5L 608 36 . 045	1/8"	1	2.88	3.53	4.08	4.56	5	5.58	6.45
	5L 608 37 . 045	1/8"	1.02	3.03	3.71	4.28	4.79	5.25	5.87	6.77
	5L 608 38 . 045	1/8"	1.1	3.6	4.42	5.1	5.7	6.24	6.98	8.06
	5L 608 39 . 045	1/8"	1.16	4.04	4.94	5.71	6.38	6.99	7.81	9.02
	5L 608 40 . 045	1/8"	1.18	4.32	5.29	6.11	6.83	7.48	8.37	9.66
	5L 608 41 . 045	1/8"	1.3	4.9	6	6.93	7.75	8.49	9.49	10.96
	5L 608 44 . 045	1/8"	1.33	5.48	6.72	7.75	8.67	9.5	10.62	12.26
	5L 608 45 . 045	1/8"	1.35	5.77	7.06	8.16	9.12	9.99	11.17	12.9
	5L 608 47 . 045	1/8"	1.4	6.49	7.95	9.18	10.26	11.24	12.57	14.51
	5L 608 48 . 045	1/8"	1.55	7.21	8.83	10.2	11.4	12.49	13.96	16.12
	5L 608 50 . 045	1/8"	1.6	7.93	9.71	11.22	12.54	13.74	15.36	17.73
	5L 608 52 . 045	1/8"	1.72	8.65	10.6	12.24	13.68	14.99	16.75	19.35
	5L 608 53 . 045	1/8"	1.75	9.37	11.48	13.26	14.82	16.23	18.15	20.96
	5L 608 54 . 045	1/8"	1.8	10.09	12.36	14.28	15.96	17.48	19.55	22.57
	5L 608 55 . 045	1/8"	1.9	10.81	13.25	15.29	17.1	18.73	20.94	24.18
	5L 608 57 . 045	1/8"	2.05	11.54	14.13	16.31	18.24	19.98	22.34	25.8
	5L 608 58 . 045	1/8"	2.06	12.54	15.36	17.74	19.83	21.72	24.29	28.04
	5L 608 59 . 045	1/8"	2.1	12.98	15.89	18.35	20.52	22.48	25.13	29.02
5L 608 60 . 045	1/8"	2.3	14.41	17.65	20.38	22.79	24.97	27.91	32.23	
60°	5L 608 36 . 060	1/8"	1	2.88	3.53	4.08	4.56	5	5.58	6.45
	5L 608 37 . 060	1/8"	1.02	3.03	3.71	4.28	4.79	5.25	5.87	6.77
	5L 608 38 . 060	1/8"	1.1	3.6	4.42	5.1	5.7	6.24	6.98	8.06
	5L 608 39 . 060	1/8"	1.16	4.04	4.94	5.71	6.38	6.99	7.81	9.02
	5L 608 40 . 060	1/8"	1.18	4.32	5.29	6.11	6.83	7.48	8.37	9.66
	5L 608 41 . 060	1/8"	1.3	4.9	6	6.93	7.75	8.49	9.49	10.96
	5L 608 45 . 060	1/8"	1.35	5.77	7.06	8.16	9.12	9.99	11.17	12.9
	5L 608 47 . 060	1/8"	1.4	6.49	7.95	9.18	10.26	11.24	12.57	14.51
	5L 608 48 . 060	1/8"	1.55	7.21	8.83	10.2	11.4	12.49	13.96	16.12
	5L 608 50 . 060	1/8"	1.6	7.93	9.71	11.22	12.54	13.74	15.36	17.73
	5L 608 52 . 060	1/8"	1.72	8.65	10.6	12.24	13.68	14.99	16.75	19.35
	5L 608 53 . 060	1/8"	1.75	9.37	11.48	13.26	14.82	16.23	18.15	20.96
	5L 608 54 . 060	1/8"	1.8	10.09	12.36	14.28	15.96	17.48	19.55	22.57
	5L 608 55 . 060	1/8"	1.9	10.81	13.25	15.29	17.1	18.73	20.94	24.18
	5L 608 57 . 060	1/8"	2.05	11.54	14.13	16.31	18.24	19.98	22.34	25.8
	5L 608 58 . 060	1/8"	2.06	12.54	15.36	17.74	19.83	21.72	24.29	28.04
	5L 608 59 . 060	1/8"	2.1	12.98	15.89	18.35	20.52	22.48	25.13	29.02
	5L 608 60 . 060	1/8"	2.3	14.41	17.65	20.38	22.79	24.97	27.91	32.23

* Different materials are available upon request
A = equivalent bore diameter

** Different connection sizes are available upon request

Order No.: CODE . CONNETION . MATERIAL

Example.: 5L 608 36 . 020 . 018 . 3

Type 5L 608 with mentioned Q(lpm)@P(bar), Spray angle: 20°, 1/8", S.S.316