

Axial Flow **Hollow-Cone** Spray Nozzles
Spadflow Series **2B NCJ**



2B NCJ

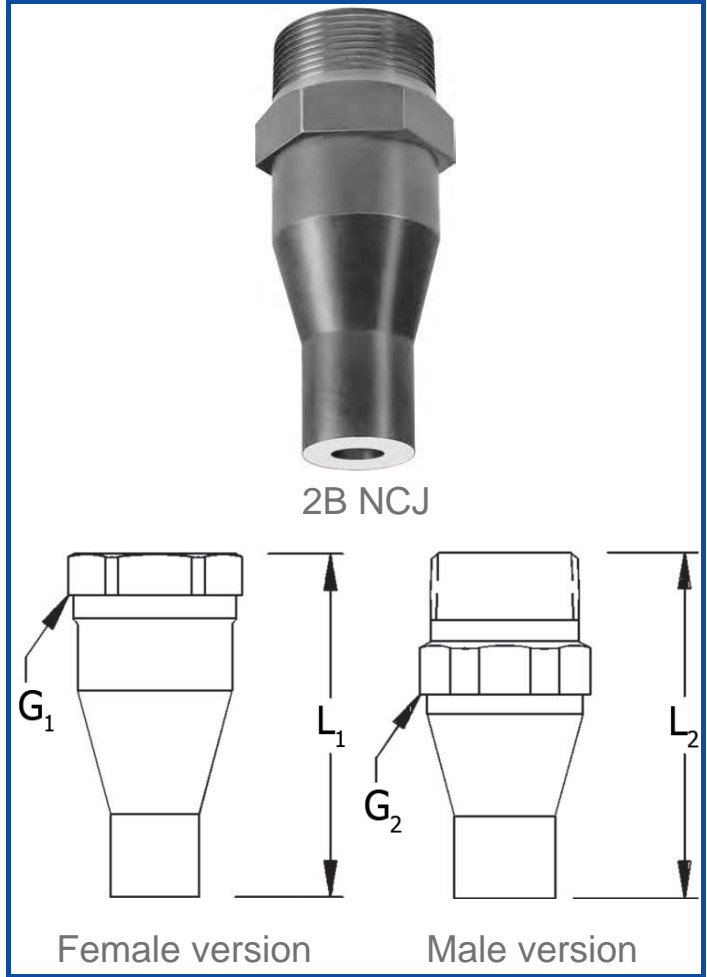
High Flow Hollow-Cone Nozzle

Applications:

- Venturi scrubbing

Properties:

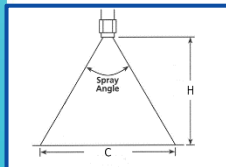
- High velocity
- Male and female connections
- Flanged connections available
- Spray is coarse and extremely hard-driving



Conn. code	Dimensions [mm]				Weight (g) (metal)
	G ₁	L ₁	G ₂	L ₂	
3/4"	34.9	82.6	28.4	82.6	0.34
1"	44.5	88.9	35.1	88.9	0.45
1 1/4"	50.8	102	44.5	102	0.57
1 1/2"	63.5	127	50.8	127	1.02
2"	76.2	152	63.5	152	1.13
2 1/2"	82.6	194	76.2	178	2.61
3"	97.5	203	88.9	203	2.84
4"	127	278	114	251	6.80
6"	181	381	168	343	15.9

Material*	Code
Brass	1
S.S.304	2
S.S.316	3

α	C [mm] (range)
	@ H= 250 mm
15°	60
20°	90
30°	130



For higher lengths: $C_2 = \frac{C \times H_2}{200}$

Order No.: **CODE . CONNETION . MATERIAL**

Example.: 2B NCJ 06 . 015 . 2

Type 2B NCJ with mentioned Q(lpm)@P(bar), Spray angle: 15°, 3/4", S.S.316

Axial Flow Hollow-Cone Spray Nozzles

Spadflow Series 2B NCJ



2B NCJ

Spray angle α	Code	Connection** [inch]	B \varnothing [mm]	Flow rate [l/min]							
				P [bar]							
				0.5	0.7	1.0 <i>K factor</i>	1.5	2.0	3.0	5.0	7.0
15°	2B NCJ 06 . 015	3/4"	7.52	23.1	27.0	32.0	38.7	44.3	53.6	68.1	79.8
	2B NCJ 12 . 015	1"	10.3	46.2	54.1	64.0	77.4	88.6	107	136	160
	2B NCJ 18 . 015	1 1/4"	12.3	69.3	81.1	95.9	116	133	161	204	239
	2B NCJ 26 . 015	1 1/2"	15.1	100	117	139	168	192	232	295	346
	2B NCJ 48 . 015	2"	20.2	185	216	256	310	354	429	545	638
	2B NCJ 72 . 015	2 1/2"	24.6	277	325	384	464	532	643	818	958
	2B NCJ 05 . 015	3"	29.5	404	473	560	677	775	938	1190	1400
	2B NCJ 90 . 015	4"	40.5	731	856	1010	1230	1400	1700	2160	2530
2B NCJ 50 . 015	6"	54.0	1380	1580	1860	2260	2580	3130	3980	4660	
20°	2B NCJ 06 . 020	3/4"	7.52	23.1	27.0	32.0	38.7	44.3	53.6	68.1	79.8
	2B NCJ 12 . 020	1"	10.3	46.2	54.1	64.0	77.4	88.6	107	136	160
	2B NCJ 18 . 020	1 1/4"	12.3	69.3	81.1	95.9	116	133	161	204	239
	2B NCJ 26 . 020	1 1/2"	15.1	100	117	139	168	192	232	295	346
	2B NCJ 48 . 020	2"	20.2	185	216	256	310	354	429	545	638
	2B NCJ 72 . 020	2 1/2"	24.6	277	325	384	464	532	643	818	958
	2B NCJ 05 . 020	3"	29.5	404	473	560	677	775	938	1190	1400
	2B NCJ 90 . 020	4"	40.5	731	856	1010	1230	1400	1700	2160	2530
2B NCJ 50 . 020	6"	54.0	1380	1580	1860	2260	2580	3130	3980	4660	
30°	2B NCJ 06 . 030	3/4"	7.52	23.1	27.0	32.0	38.7	44.3	53.6	68.1	79.8
	2B NCJ 12 . 030	1"	10.3	46.2	54.1	64.0	77.4	88.6	107	136	160
	2B NCJ 18 . 030	1 1/4"	12.3	69.3	81.1	95.9	116	133	161	204	239
	2B NCJ 26 . 030	1 1/2"	15.1	100	117	139	168	192	232	295	346
	2B NCJ 48 . 030	2"	20.2	185	216	256	310	354	429	545	638
	2B NCJ 72 . 030	2 1/2"	24.6	277	325	384	464	532	643	818	958
	2B NCJ 05 . 030	3"	29.5	404	473	560	677	775	938	1190	1400
	2B NCJ 90 . 030	4"	40.5	731	856	1010	1230	1400	1700	2160	2530
2B NCJ 50 . 030	6"	54.0	1380	1580	1860	2260	2580	3130	3980	4660	

* Different materials are available upon request
B = bore diameter

** Different connection sizes are available upon request

Order No.: CODE . CONNETION . MATERIAL

Example.: 2B NCJ 06 . 015 . 2

Type 2B NCJ with mentioned Q(lpm)@P(bar), Spray angle: 15°, 3/4", S.S.316