

Flat-Fan Spray Nozzles Spadflow Series 5L 686



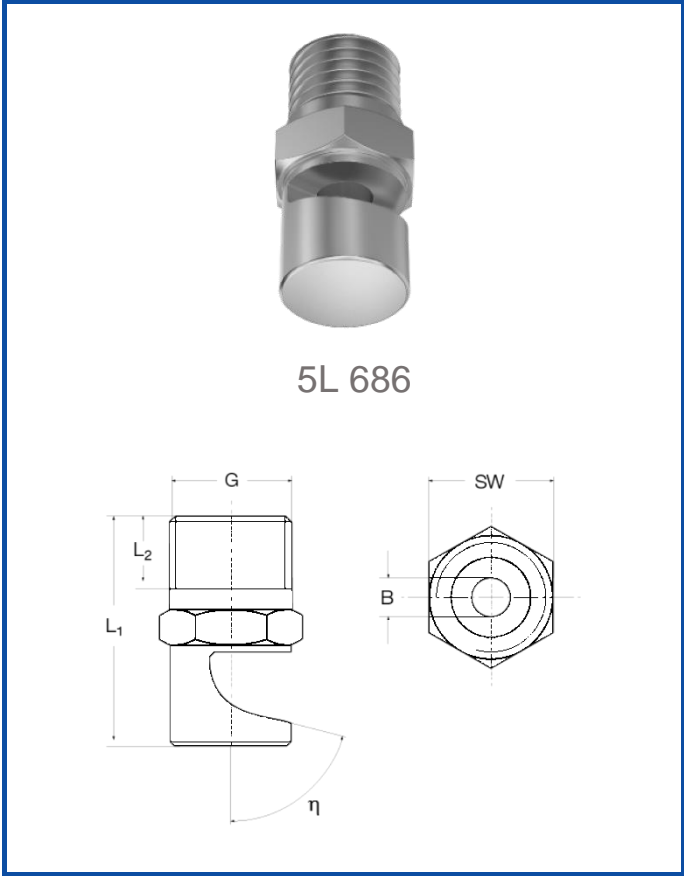
Low Pressure Tongue-type Nozzle

Properties:

- Wide flat fan with a sharply delimited jet pattern
- Particularly clog-proof
- narrowly delimited jet pattern
- Not prone to clogging

Applications:

- Foam control in storage tanks
- Crate washers
- Cleaning and washing processes requiring powerful and concentrated water jets
- Preparation techniques



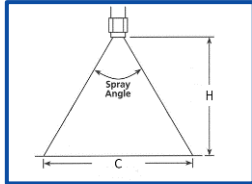
5L 686

Conn. code	Dimensions [mm]				Weight
	G	L ₁	L ₂	Hex	
018	1/8 BSPT	23.0	6.5	11	17 g
014	1/4 BSPT	35.0	9.7	14	20 g
038	3/8 BSPT	38.5	10.1	17	30 g
012	1/2 BSPT	45.0	13.2	22	40 g

Material*	Code
Brass	1
S.S.304	2
S.S.316	3

α	C [mm] (range) @ H=250 mm
	90°
140°	1360-1370

For higher lengths: $C_2 = \frac{C \times H_2}{250}$



Spray angle (α)	Code	η	Connection** [Inch]	B Ø [mm]	Flow rate [l/min]		
					P [bar]		
					1.0 <i>K factor</i>	2.0	5.0
90°	5L 686 36 . 090	75°	1/8"-1/4"	0.80	0.45	0.63	1.00
	5L 686 40 . 090	75°	1/8"-1/4"	1.00	0.71	1.00	1.58
	5L 686 68 . 090	40°	1/4"	2.40	3.54	5.00	7.91
	5L 686 72 . 090	40°	1/8"-1/4"	2.70	4.45	6.30	9.96
	5L 686 80 . 090	40°	1/4"	3.40	7.07	10.00	15.81
	5L 686 88 . 090	40°	1/4"	4.20	11.31	16.00	25.30
	5L 686 92 . 090	40°	3/8"	4.70	14.14	20.00	31.62

Order No.: CODE . CONNETION . MATERIAL

Flat-Fan Spray Nozzles Spadflow Series 5L 686



5L 686

Spray angle (α)	Code	η	Connection** [Inch]	B Ø [mm]	Flow rate [l/min]		
					P [bar]		
					1.0 <i>K factor</i>	2.0	5.0
140°	5L 686 36 . 140	75°	1/8"-1/4"	0.80	0.45	0.63	1.00
	5L 686 40 . 140	75°	1/8"-1/4"	1.00	0.71	1.00	1.58
	5L 686 44 . 140	75°	1/4"	1.20	0.88	1.25	1.98
	5L 686 48 . 140	75°	1/8"1/4"	1.30	1.13	1.60	2.53
	5L 686 52 . 140	75°	1/8"1/4"	1.50	1.41	2.00	3.16
	5L 686 56 . 140	75°	1/8"1/4"	1.70	1.77	2.50	3.59
	5L 686 60 . 140	75°	1/8"1/4"	1.90	2.23	3.15	4.98
	5L 686 64 . 140	75°	1/4"	2.20	2.83	4.00	6.32
	5L 686 68 . 140	75°	1/8"1/4"	2.40	3.54	5.00	7.91
	5L 686 72 . 140	75°	1/8"1/4"	2.70	4.45	6.30	9.96
	5L 686 76 . 140	75°	1/4"	3.00	5.66	8.00	12.65
	5L 686 80 . 140	75°	1/8"1/4"	3.40	7.07	10.00	15.81
	5L 686 82 . 140	75°	1/4"	3.60	7.92	11.20	17.71
	5L 686 84 . 140	75°	1/4"	3.80	8.80	12.50	19.76
	5L 686 86 . 140	75°	1/4"	4.00	9.90	14.00	22.14
	5L 686 88 . 140	75°	1/4"	4.20	11.31	16.00	25.30
	5L 686 90 . 140	75°	1/4"	4.50	12.73	18.00	28.46
	5L 686 92 . 140	75°	3/8"	4.70	14.14	20.00	31.62
5L 686 96 . 140	75°	1/2"	5.30	17.68	25.00	39.53	
5L 686 98 . 140	75°	3/8"1/2"	5.60	19.80	28.00	44.27	

* Different materials are available upon request
B = bore diameter

** Different connection sizes are available upon request

Order No.: CODE . CONNETION . MATERIAL