

Flat-Fan Spray Nozzles Spadflow Series 5L 664 – 5L 665



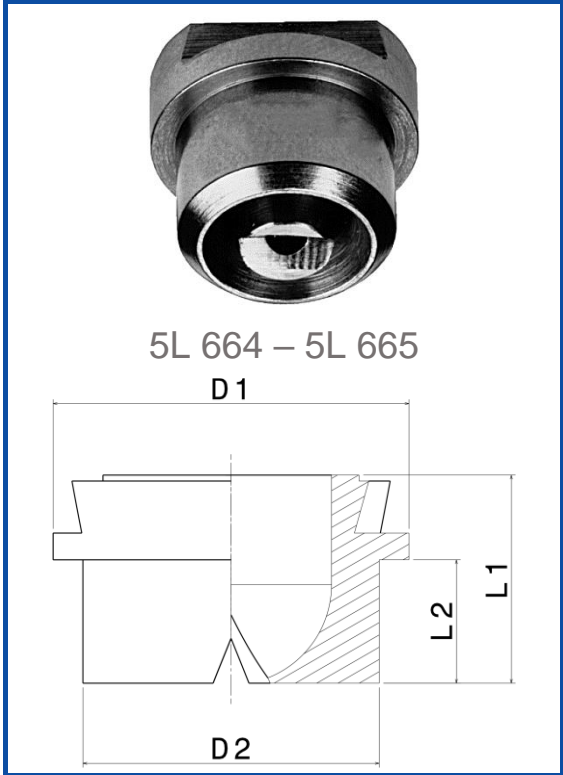
Low Pressure Nozzle with Dovetail Guide

Applications:

- Cleaning installations
- Cooling headers
- Spray pipes
- Roll cooling
- Cooling of rolled stock

Properties:

- Assembly with retaining nut 3/4 BSPT and dovetail guide
- Stable spray angle
- Automatic jet alignment due to dovetail guide
- Uniform, parabolical distribution of liquid

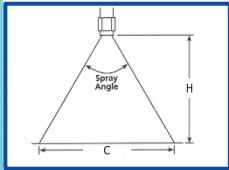


5L 664 – 5L 665

Dimensions [mm]				Weight
D ₁	L ₁	L ₂	D ₂	
24.0	14.0	8.0	20.0	35 g

Material*	Code
Brass	1
S.S.304	2
S.S.316	3

α	C [mm] (range)
	@ H=250 mm
20°	100
30°	140
45°	220
60°	280
90°	520
120°	890



For higher lengths: $C_2 = \frac{C \times H_2}{250}$

Spray angle (α)	Code	A Ø [mm]	E Ø [mm]	Flow rate [l/min]					
				P [bar]					
				0.5	1.0 <i>K factor</i>	2.0	3.0	5.0	10.0
20°	5L 664 72 . 020	3.00	2.50	3.15	4.45	6.30	7.72	9.96	14.09
	5L 664 80 . 020	4.00	3.20	5.00	7.07	10.00	12.25	15.81	22.36
	5L 664 88 . 020	5.00	4.00	8.00	11.31	16.00	19.60	25.30	35.78
	5L 664 92 . 020	5.50	4.40	10.00	14.14	20.00	24.49	31.62	44.72
	5L 664 96 . 020	6.00	5.10	12.50	17.68	25.00	30.62	39.53	55.90
30°	5L 664 72 . 030	3.00	2.40	3.15	4.45	6.30	7.72	9.96	14.09
	5L 664 76 . 030	3.50	2.70	4.00	5.66	8.00	9.80	12.65	17.89
	5L 664 80 . 030	4.00	3.10	5.00	7.07	10.00	12.25	15.81	22.36
	5L 664 88 . 030	5.00	4.00	8.00	11.31	16.00	19.60	25.30	35.78
	5L 664 92 . 030	5.50	4.40	10.00	14.14	20.00	24.49	31.62	44.72
	5L 664 96 . 030	6.00	5.00	12.50	17.68	25.00	30.62	39.53	55.90
	5L 665 04 . 030	8.00	6.40	20.00	28.28	40.00	48.99	63.25	89.44
5L 665 12 . 030	10.00	8.20	31.50	44.55	63.00	77.16	99.61	140.87	

Order No.: CODE . MATERIAL

Example.: 5L 664 72 . 060 . 2

Type 5L 664 with mentioned Q(lpm)@P(bar), Spray angle: 60°, S.S.316

Flat-Fan Spray Nozzles

Spadflow Series 5L 664 – 5L 665



5L 664
5L 665

Spray angle (α)	Code	A Ø [mm]	E Ø [mm]	Flow rate [l/min]					
				P [bar]					
				0.5	1.0 <i>K factor</i>	2.0	3.0	5.0	10.0
45°	5L 664 72 . 045	3.00	2.40	3.15	4.45	6.30	7.72	9.96	14.09
	5L 664 76 . 045	3.50	2.60	4.00	5.66	8.00	9.80	12.65	17.89
	5L 664 80 . 045	4.00	3.00	5.00	7.07	10.00	12.25	15.81	22.36
	5L 664 84 . 045	4.50	3.40	6.25	8.84	12.50	15.31	19.76	27.95
	5L 664 88 . 045	5.00	3.80	8.00	11.31	16.00	19.60	25.30	35.78
	5L 664 92 . 045	5.50	4.20	10.00	14.14	20.00	24.49	31.62	44.72
	5L 664 96 . 045	6.00	4.40	12.50	17.68	25.00	30.62	39.53	55.90
	5L 665 04 . 045	8.00	5.90	20.00	28.28	40.00	48.99	63.25	89.44
60°	5L 664 72 . 060	3.00	2.10	3.15	4.45	6.30	7.72	9.96	14.09
	5L 664 76 . 060	3.50	2.30	4.00	5.66	8.00	9.80	12.65	17.89
	5L 664 80 . 060	4.00	2.60	5.00	7.07	10.00	12.25	15.81	22.36
	5L 664 84 . 060	4.50	3.00	6.25	8.84	12.50	15.31	19.76	27.95
	5L 664 88 . 060	5.00	3.40	8.00	11.31	16.00	19.60	25.30	35.78
	5L 664 92 . 060	5.50	4.10	10.00	14.14	20.00	24.49	31.62	44.72
	5L 664 96 . 060	6.00	4.20	12.50	17.68	25.00	30.62	39.53	55.90
	5L 665 04 . 060	8.00	5.50	20.00	28.28	40.00	48.99	63.25	89.44
5L 665 08 . 060	9.00	6.20	25.00	35.36	50.00	61.24	79.06	111.80	
5L 665 12 . 060	10.00	7.40	31.50	44.55	63.00	77.16	99.61	140.87	
90°	5L 664 72 . 090	3.00	1.70	3.15	4.45	6.30	7.72	9.96	14.09
	5L 664 76 . 090	3.50	1.90	4.00	5.66	8.00	9.80	12.65	17.89
	5L 664 80 . 090	4.00	2.40	5.00	7.07	10.00	12.25	15.81	22.36
	5L 664 84 . 090	4.50	2.40	6.25	8.84	12.50	15.31	19.76	27.95
	5L 664 88 . 090	5.00	3.10	8.00	11.31	16.00	19.60	25.30	35.78
	5L 664 92 . 090	5.50	3.60	10.00	14.14	20.00	24.49	31.62	44.72
	5L 664 96 . 090	6.00	3.90	12.50	17.68	25.00	30.62	39.53	55.90
	5L 665 04 . 090	8.00	4.90	20.00	28.28	40.00	48.99	63.25	89.44
5L 665 12 . 090	10.00	6.40	31.50	44.55	63.00	77.16	99.61	140.87	
120°	5L 664 72 . 120	3.00	1.60	3.15	4.45	6.30	7.72	9.96	14.09
	5L 664 76 . 120	3.50	1.70	4.00	5.66	8.00	9.80	12.65	17.89
	5L 664 80 . 120	4.00	2.00	5.00	7.07	10.00	12.25	15.81	22.36
	5L 664 88 . 120	5.00	2.60	8.00	11.31	16.00	19.60	25.30	35.78
	5L 664 92 . 120	5.50	2.90	10.00	14.14	20.00	24.49	31.62	44.72
	5L 664 96 . 120	6.00	3.20	12.50	17.68	25.00	30.62	39.53	55.90
	5L 665 04 . 120	8.00	4.40	20.00	28.28	40.00	48.99	63.25	89.44

* Different materials are available upon request A = equivalent bore diameter E = narrowest free cross section

Order No.: **CODE . MATERIAL**

Example.: 5L 664 72 . 060 . 2

Type 5L 664 with mentioned Q(lpm)@P(bar), Spray angle: 60°, S.S.316